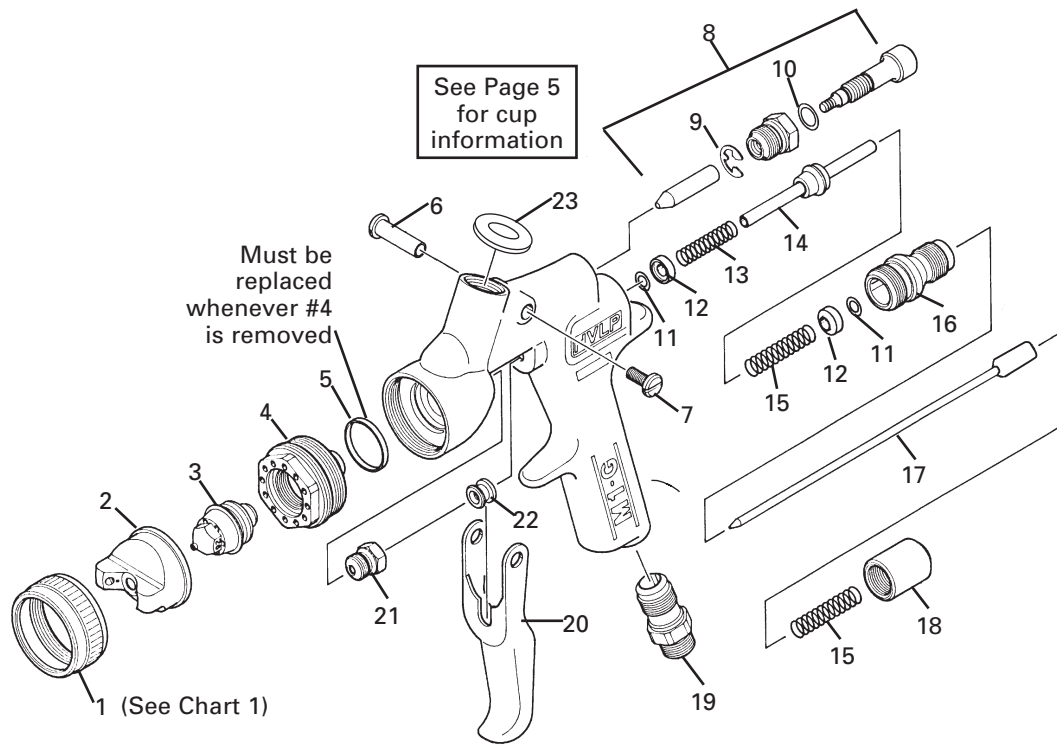


M1-G HVLP GRAVITY FEED GUN



No.	Order No.	Description	Parts Required
1	54-3531	Retaining Ring (For 92P and 93P Air Nozzle)	1
2	46-9300	Air Cap	1
3	See Chart 1†	Fluid Nozzle	1
4	54-4368†	Head Insert	1
5	54-4369-5▲	Head Insert Seal Ring (Kit of 5)	1
6	●	Trigger Stud	1
7	●	Trigger Screw	1
8	54-4364†	Side Port Control Assembly	1
9	▲	Retaining Ring	1
10	▲	O-Ring	1
11	▲★	O-Ring	2
12	★	Seal Retainer	2
13	▲*	Spring, Yellow	1
14	54-3512▲	Spindle Assembly	1
15	▲*	Spring, Blue	2
16	54-3541†	Housing	1
17	See Chart 2	Fluid Needle	1
18	54-3606	Material Valve Control Knob	1
19	54-768†	Air Connection	1
20	54-4360	Trigger	1
21	54-4370▲	Seal Cartridge Assembly	1
22	●	Valve Spindle Cap	1
23	KGP-13-K5▲	Cup Gasket (Kit of 5)	1

Chart 1

Fluid Nozzle	Order No.	I.D. Size	
		In.	MM
92	45-9200	.046	1.2
93	45-9300	.052	1.3
94	45-9400	.055	1.4
97	45-9700	.070	1.8

Chart 2

Needle	Order No.
ABSS	54-4382

● Screw, Stud & Cap Kit (54-5223)

No.	Description	Qty.
6	Trigger Stud	1
7	Trigger Screw	1
22	Valve Spindle Cap	1

▲ NOTE: Gun Repair Kit (54-4367-1) Contains:

Ref. No.	Description	Qty.
5	Seal	1
9	Retaining Ring	1
10	O-Ring	1
11	O-Ring	2
13	Spring, Yellow	1
14	Spindle	1
15	Spring, Blue	2
21	Seal Cartridge	1
23	Cup Gasket	1

† Torquing Information

No.	Description	Torque
3	Fluid Nozzle	10-12 Ft. Lb.
4	Head Insert	20-23 Ft. Lb.
8	Side Port	4-6 Ft. Lb.
16	Housing	15-17 Ft. Lb.
19	Air Connection	15-17 Ft. Lb.

★ O-Ring & Retainer Kit (54-5224)

No.	Description	Qty.
11	O-Ring	2
12	Seal Retainer	2