



Parts Replacement/Maintenance

Chart 1 – Air Caps

ORDER NO. FOR AIR CAP	APPLICATION	NUMBER ON CAP	RECOMMENDED INLET PRESSURE BAR/PSI	AIR FLOW LPM/SCFM	RECOMMENDED FLUID TIP (MM)
702723 (HVLP)	Basecoats – Solvent & Waterborne	202	1.2-1.5 bar 18-22 psi	382-434 LPM 13.5-15.5 SCFM	1.2, 1.3, 1.4 – Also 1.5 for waterborne only
702724 (HVLP)	Clears, Single Stages, Waterborne Basecoats	909	1.5-1.8 bar 22-26 psi	396-453 LPM 14-16 SCFM	1.2, 1.3, 1.4 – Also 1.5 for waterborne only
703062 (High Efficiency)	Basecoats – Solvent & Waterborne, Clears, Single Stages	7E7	1.1-1.5 bar 16-22 psi	255-312 LPM 9-11 SCFM	1.2, 1.3, 1.4 – Also 1.5 for waterborne only

NOTE 1: Guns with HVLP caps must not exceed 0.7 bar (10 psi) air cap pressure with gun fully triggered. (Approximately 26 psi gun inlet pressure.) (See accessories for air cap test kits which are available to set the exact cap pressure.)

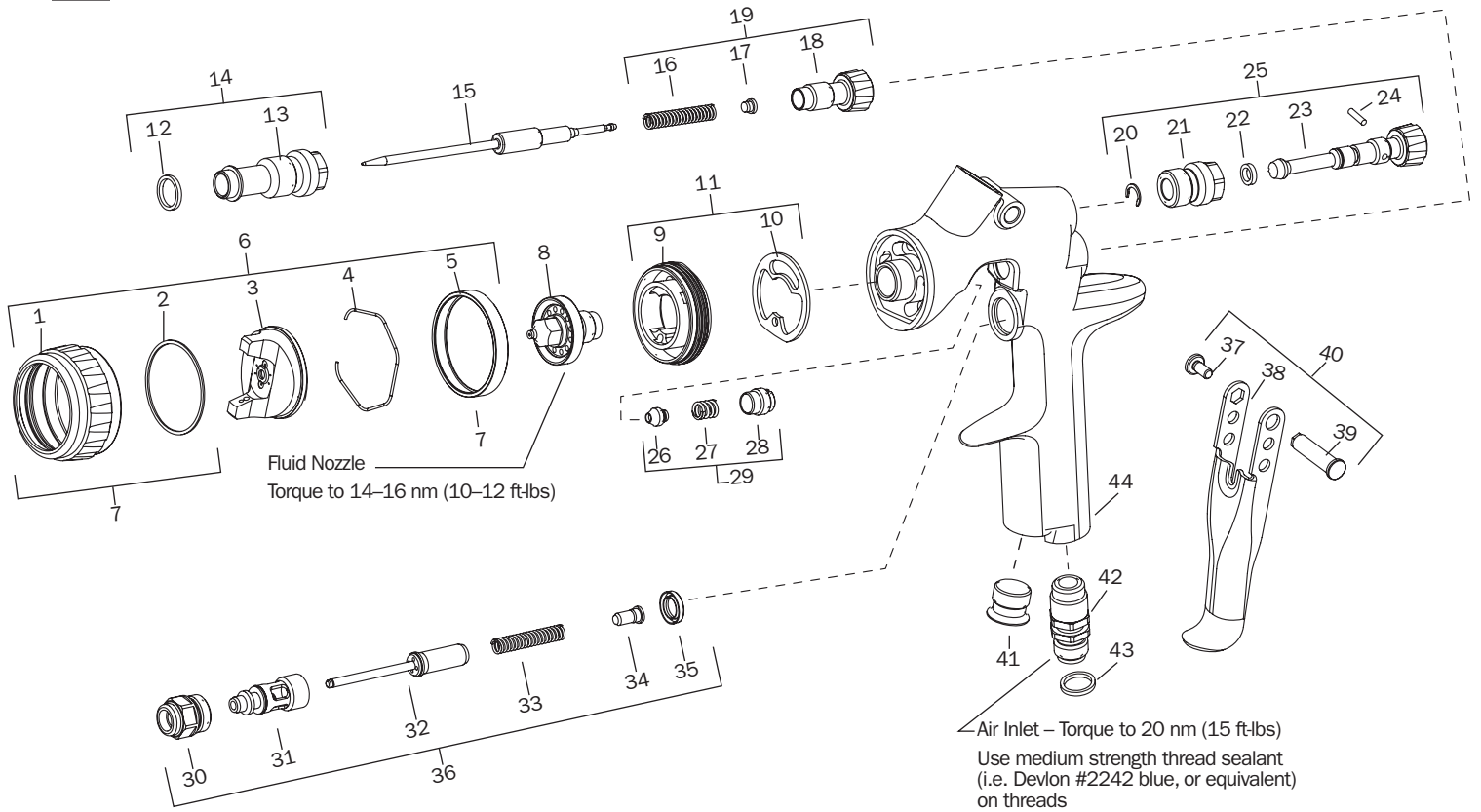
Compliance with SCAQMD and other air regulatory agencies requires gun inlet pressure not to exceed 1.5 bar (22 psi) with gun fully triggered when the high efficiency cap is used. Gun inlet pressure may be adjusted as required to any desired value in areas not requiring EPA compliance.

NOTE 2: When removing air cap from retaining ring, don't remove slip ring (2) or retaining ring seal (5) from retaining ring. Damage to the parts may occur. Slip ring and retaining ring seal are not available as replacements. Simply wipe parts clean and reassemble with new or clean air cap.

Chart 2 – Fluid Nozzle & Fluid Needles

NO. ON FLUID NOZZLE	TIP SIZE I.D. (MM)	NO. ON FLUID NEEDLE (TO MATCH FLUID NOZZLE)	ORDER NO. FOR NOZZLE & NEEDLE SET
SN-37-11	1.1	SN-38-11	702711
SN-37-12	1.2	SN-38-12	702712
SN-37-13	1.3	SN-38-13	702713
SN-37-14	1.4	SN-38-14	702714
SN-37-15	1.5	SN-38-15	702715

NOTE: When replacing the fluid nozzle or fluid needle, replace both at the same time. Lightly lubricate the threads of the fluid nozzle before reassembling. Torque to 14–16 nm (10–12 ft-lbs). Don't over tighten the fluid nozzle. Use 10 mm wrench supplied with gun.



REF. NO.	DESCRIPTION	PART NO.	QTY
1	Air Cap Retaining Ring		1
2	Slip Ring		1
3	Air Cap		1
4	Air Cap Retaining Clip	JGA-156-K10	1
5	Retaining Ring Seal		1
6	Base Cap & Ring (202)	702723 (see Chart 1)	1
6	Clear Cap & Ring (909)	702724 (see Chart 1)	
6	Base/Clear Cap & Ring (7E7) (High Efficiency)	703062 (see Chart 1)	
7	Air Cap Retaining Ring & Seals	702725	1
8	Fluid Nozzle	See Chart 2	1
9	Air Separator		1
*10	Air Separator Seal (kit of 2)	702726	1
11	Air Separator & Seal Kit	702727	1
*12	Body Bushing Gasket		1
13	Body Bushing		1
14	Body Bushing & Gasket	702728	1
15	Fluid Needle	See Chart 2	1
*16	Needle Spring		1
*17	Needle Spring Pad		1
18	Fluid Adjusting Knob		1
19	Fluid Adjusting Knob, Spring, & Pad Kit	702729	1
*20	Retaining Clip		1
21	Spreader Valve Body		1
*22	Spreader Valve Seal		1
23	Spreader Valve Adjusting Knob		1
*24	Spreader Valve Pin		1
25	Spreader Valve Assembly	702730	1

REF. NO.	DESCRIPTION	PART NO.	QTY
*26	Needle Packing		1
*27	Packing Spring		1
*28	Packing Nut		1
29	Packing, Spring & Packing Nut Kit	702731	1
30	Air Valve Body		1
31	Air Valve Cage		1
32	Air Valve Poppet		1
33	Air Valve Spring		1
34	Air Valve Spring Pad		1
35	Air Valve Seal		1
36	Air Valve Assembly	702732	1
*37	Trigger Stud Screw (T20 TORX)		1
38	Trigger		1
*39	Trigger Stud		1
40	Trigger, Stud & Screw Kit	702733	1
41	Plug		1
42	Air Inlet	702734	1
43	Colour ID Ring Kit (4 Colours)	702735	1
44	Gun Body		1
OTHER SALABLE PARTS / ACCESSORIES			
	Wrench (10 & 14mm)	702740	
	1.1 Fluid Nozzle & Fluid Needle Set	702711	
	1.2 Fluid Nozzle & Fluid Needle Set	702712	
	1.3 Fluid Nozzle & Fluid Needle Set	702713	
	1.4 Fluid Nozzle & Fluid Needle Set	702714	
	1.5 Fluid Nozzle & Fluid Needle Set	702715	
	Air Adjusting Valve	702737	
	Base Coat Test Cap (HVLV)	702738	
	Clear Coat Test Cap (HVLV)	702739	

* The TEKNA Spray Gun Repair Kit (702736) contains all the parts indicated with an asterisk.