



### HE/HVLP Gravity Gun/Cup

Order No. Model No.  
802851 CVI-620G

Includes: 1.3mm & 1.4mm fluid nozzles;  
900cc aluminum gravity cup with push-on lid

### HE/HVLP Waterborne Gravity Gun/Cup

Order No. Model No.  
802949 CVI-620GW

Includes: 1.3mm & 1.4mm fluid nozzles;  
20 oz. Acetal gravity cup

Both models include: spray gun lube, fluid filter, gun hook, HAV-512 air adjusting valve with gauge, air valve assembly tool



\* Waterborne compatible when using a plastic or disposable cup system.



### Two air caps included:

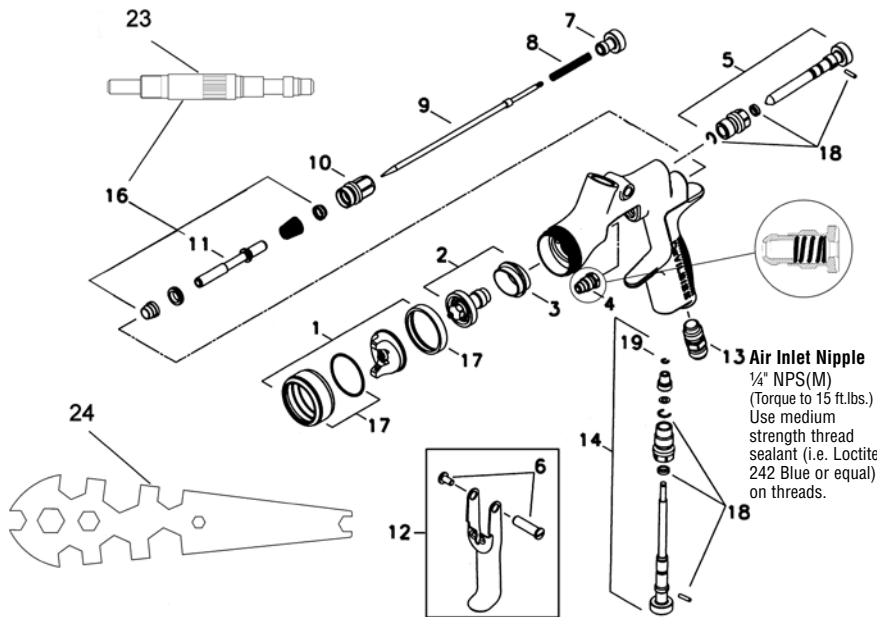
- Trans-Tech High Efficiency Technology (#510)
- HVLP (#505)

Comfortable and lightweight; ergonomic design means reduced painter fatigue.

### CVi Gravity Feed Air Caps

Air Cap	Order No.	Model No.	Description	Air Cap Pattern
#505 air cap (HVLP)	802841	SP-100-505-K	Base coats, clearcoats, primers, single stage, and low VOC Air Cap Order No. 802841 Air Cap Model No. SP-100-505-K 14-18 PSI inlet 10-13 CFM	11¼"
#510 air cap (HE)	802546	SP-100-510-K	Primers, base coats, clearcoats, single stage, and low VOC Air Cap Order No. 802546 Air Cap Model No. SP-100-510-K 20-26 PSI inlet 7.5-9 CFM	11½"
Fluid Tips	1.0 mm, 1.2 mm, <b>1.3 mm</b> , <b>1.4 mm</b> , 1.6 mm, 1.8 mm, 2.0 mm (Included tip sizes shown in bold)			

Refer to Service Bulletin: SB-2-658



Ref. No.	Order No.	Model No.	Description	Ind. Parts Req.
1	802841	SP-100-505-K	Air Cap/Retaining Ring assy (#505)	1
1	802546	SP-100-510-K	Air Cap/Retaining Ring assy (#510)	1
2a	802549	SP-200S-10-K	Nozzle (1.0)	1
2b	802550	SP-200S-12-K	Nozzle (1.2)	1
2c	802835	SP-200S-13-K	Nozzle (1.3)	1
2d	802551	SP-200S-14-K	Nozzle (1.4)	1
2e	802552	SP-200S-16-K	Nozzle (1.6)	1
2f	802553	SP-200S-18-K	Nozzle (1.8)	1
2g	802554	SP-200S-20-K	Nozzle (2.0)	1
+ 3	802522	SP-626-K5	Separator	5
+ 4	802511	GTI-445-K2	Packing	2
5	802514	SP-403-K	Spreader Valve	5
6	—	—	Stud and Screw	1
7	802518	SP-614-K	Needle Adjusting Screw	1
+ 8	802520	SP-622-K5	Spring	1
9a	802557	SP-300S-10-K	Needle (1.0)	1
9b	802558	SP-300S-12-K	Needle (1.2)	1
9c	802836	SP-300S-13-K	Needle (1.3)	1
9d	802559	SP-300S-14-K	Needle (1.4)	1
9e	802560	SP-300S-16-K	Needle (1.6)	1
9f	802561	SP-300S-18-K	Needle (1.8)	1
9g	802562	SP-300S-20-K	Needle (2.0)	1
10	802517	SP-612-K	Air Valve Housing and Seal	1
11	—	—	Spindle	1
12	703535	SP-617-CR-K	Trigger, Stud and Screw	1
13	802516	SP-611-K	Connector	1
14	802513	SP-402-K	Airflow Valve	1
16	802524	SPK-101-K	Air Valve Service Kit	1
17	802525	SPK-102-K	Retaining Ring and Seals	1
+ 18	192229	GTI-428-K5	Clip, Seal and Pin Kit	5
23	—	—	Air Valve Assembly Tool	1
24	802531	SPN-5-K	Spanner	1

### + Spray Gun Service Kit 803083 (SPK-402-K)

Ref No.	Description	Qty.
3	Separator	1
4	Packing	1
8	Spring	1
18	Clip, Seal and Pin Kit	1