



**CVi®**  
**PRESSURE FEED GUN**

Order No. **802942** Model No. **CVI-501-510-10**

- Two air caps and fluid tip sets included
- Comfortable and lightweight, ergonomic design reduces fatigue
- Sprays a broad range of materials

- Includes:**
- Spray gun lube
  - Air valve assembly tool



\* Waterborne compatible when using a plastic or disposable cup system.



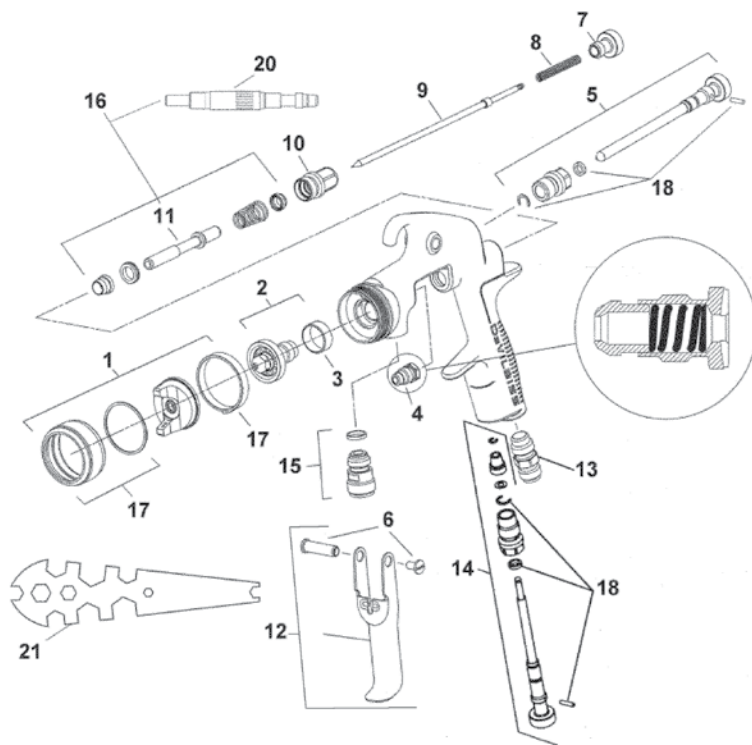
**CVi® Pressure Feed Gun**

	Fluid Tip (mm)	Inlet Pressure	Application	Fluid Flow
<b>802942 / CVI-501-510-10</b>				
<b>#510 air cap (HE)</b>	1.0, 1.4	20–26 PSI	Medium to high solids	7–10 oz./min.
<b>#505 air cap (HVLV)</b>	1.0, 1.4	14–18 PSI	Base coats, low to medium solids	6–8 oz./min.

**CVi® Pressure Feed Air Caps**

<b>#510 air cap (HE)</b>	<b>Primers, base coats, clearcoats, single stage, and low VOC</b> Air Cap Order No. 802546 Air Cap Model No. SP-100-510-K 20-29 PSI inlet 7.5-9 CFM	<b>Air Cap Pattern</b> 11¼"
<b>#505 air cap (HVLV)</b>	<b>Base coats, clearcoats, primers, single stage, and low VOC</b> Air Cap Order No. 802841 Air Cap Model No. SP-100-505-K 14-18 PSI inlet 10-13 CFM	<b>Air Cap Pattern</b> 11½"
<b>Fluid Tips</b>	1.0 mm, 1.2 mm, 1.3 mm, 1.4 mm (Included tip sizes shown in bold)	

Refer to Service Bulletin: SB-2-662



Ref. No.	Order No.	Part No.	Description	Qty.	Part No. Options
1		SP-100-***-K	Air Cap/Retaining Ring COM-510 or COM-522	1	505, 510 e.g. *** = 510
2		SP-200S-***-K	Nozzle	1	10, 12, 13, 14, 16 18, 20 e.g. ** =14 =1.4 mm
†3	802521	SP-623-K5	Separator	5	
†4	802511	GTI-445-K2	Packing	2	
5	802512	SP-401-K	Spreader Valve	1	
6			Stud and Screw		
7	802518	SP-614-K	Needle Adjusting Screw	1	
†8	802520	SP-622-K5	Spring	1	
9		SP-300S-**-K	Needle	1	10, 12, 13, 14, 16 18, 20 e.g. ** =14 =1.4 mm
10	802517	SP-612-K	Air Valve Housing & Seal	1	
11			Spindle	1	
12	703535	SP-617-CR-K	Trigger, Stud & Screw	1	
13	802516	SP-611-K	Connector	1	
14	802513	SP-402-K	Airflow Valve	1	
15	802606	SP-636-K	Fluid Inlet Connector and Seal	1	
16	802524	SPK-101-K	Air Valve Service Kit	1	
17	802525	SPK-102-K	Retaining Ring and Seals	1	
†18	192229	GTI-428-K5	Clip, Seal and Pin Kit	5	
20			Air Valve Assembly Tool	1	
21	802531	SPN-5-K	Spanner	1	
		803083	SPK-402-K Spraygun Service Kit (parts included marked †)	1	