



KBII™ Pressure Cup

Order No. Model No.
120033 KB-555

EZ Liner Kit for KBII

Order No. Model No.
192025 KK-5051

Comfortable to carry.
Easy clean ups with disposable liners



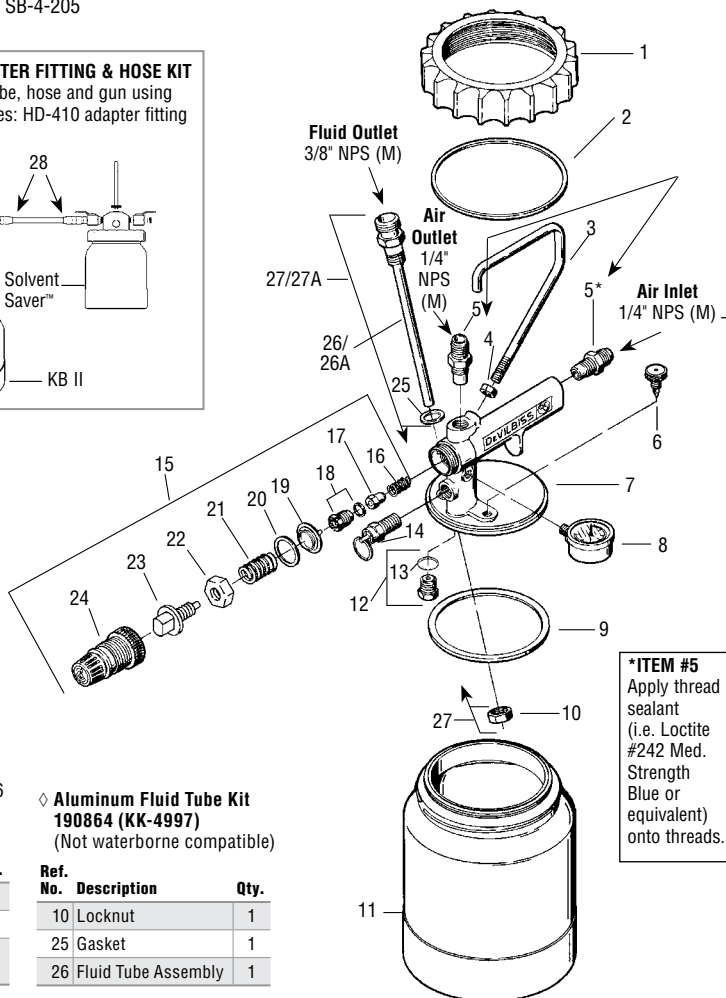
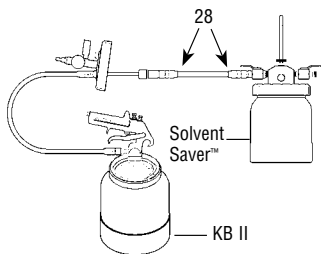
KBII™ Pressure Cup and Liner Kit

Order No. Model No.	Capacity	Regulation	3/4" H.P. Direct Drive Air Driven Agitation Included
120033 KB-555	2-qt.	Yes	N/A
192025 KK-5051	EZ Liner Kit for KBII (20 liners, 20 lids, 3 rings)		



Refer to Service Bulletin: SB-4-205

192026 (KK-5052) ADAPTER FITTING & HOSE KIT
Allows flushing of cup tube, hose and gun using SolventSaver™. Kit includes: HD-410 adapter fitting and 2' hose assembly.



◆ **Stainless Steel Fluid Tube Kit 190863 (KK-4996)**
For waterborne compatibility use KK-5051 disposable cup liners and KK-4996 Fluid Tube Kit

◇ **Aluminum Fluid Tube Kit 190864 (KK-4997)**
(Not waterborne compatible)

Ref. No.	Description	Qty.
10A	Locknut	1
25A	Gasket	1
26A	Fluid Tube Assembly	1

Ref. No.	Description	Qty.
10	Locknut	1
25	Gasket	1
26	Fluid Tube Assembly	1

***ITEM #5**
Apply thread sealant (i.e. Loctite #242 Med. Strength Blue or equivalent) onto threads.

Ref. No.	Order No.	Model No.	Description	Ind. Parts Req.
1	190573	KB-64	Retaining Ring	1
●2	190577	KB-81-K5	Slip Ring (Kit of 5)	1
+3	190575	KB-74	Handle – Secondary	1
4	(purchase locally)		Nut 5/16" -18	1
5	190287	P-MB-51	Adapter	2
●6	190574	KB-66	Pressure Bleed Valve (For KB-555)	1
7	190901	KB-70	Lid w/handle (For KB-555)	1
8	190761	GA-355	Pressure Gauge 0-30 PSI	1
●9	190576	KB-80-K5	Gasket (Kit of 5)	1
◇10	190249	MBD-11-K5	Locknut (For KB-555, Kit of 5)	1
◆10A	—		Locknut	1
11	190578	KB-422	2 qt. cup (For KB-555)	1
●12	191200	KB-432-K3	Check Valve (Kit of 3)	1
●13	190692	KB-85-K5	Gasket (Kit of 5)	1
14	190582	TIA-4355	Safety Valve	1
15	190848	KB-428-1	Regulator Assembly	1
16	—		Valve Spring	1
17	—		Valve, PTFE	1
18	—		Valve Seat & O-Ring Assembly	1
19	—		Diaphragm, PTFE protected	1
20	—		Slip Ring	1
21	—		Regulator Spring	1
22	—		Nut	1
23	—		Adjusting Screw	1
24	—		Bonnet	1
◆25	190175	KB-60-K6	Gasket (Kit of 6)	1
◇26	—		Fluid Tube Assembly (Aluminum)	1
◆26A	—		Fluid Tube Assembly (Stainless Steel)	1
27	190864	KK-4997	Fluid Tube Kit – (Aluminum for KB-555)	1
27A	190863	KK-4996	Fluid Tube Kit – (Stainless Steel)	1
28	192026	KK-5052	Adapter Fitting & Hose Kit	1
29	192025	KK-5051	Cup Liner Kit	1

● Recommended spare parts.

+ A secondary handle (3) has been provided with each cup. May be used for "Belt Hanging."

Suffixes: -K2, -K3, -K5, -K6 designate kits of multiple parts. Example: KB-81-K5 is a kit of 5 Slip Rings.