



## Desiccant Snake



Order No. **130502** Model No. **DS20**

### Disposable, In-Line Desiccant Air Dryer

- A unique design that combines desiccant drying with built in dirt and oil aerosol filters
- Effective with both HVLP and Conventional spray equipment
- 200 PSI maximum
- 150° F maximum

### Desiccant Snake and Indicator

Order No.	Description
130502	DS20 Desiccant Snake
130503	RHI-01 Humidity Indicator



130503 (RHI-01)

## Humidity Indicator

Order No. **130503** Model No. **RHI-01**

### Alerts Painter to Humidity in the Air Line

- Recommended for use with Desiccant Snake



## Model 140-B Engine/Part Cleaning Gun



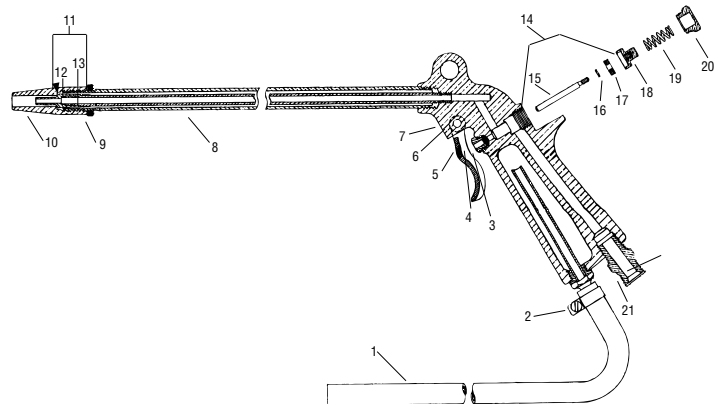
Order No. **901205** Model No. **6530-0000-1**

- Includes:**
- 6' fluid hose



### Extension Gun for Cleaning Engines and Automotive Equipment

Refer to Part Sheet: 77-1191



#### ● Trigger Kit 901088 (57-302)

Ref. No.	Description	Qty.
5	Trigger	1
6	Trigger Shaft	1
7	E-clip	2

#### □ Nozzle Kit 901087 (57-301)

Ref. No.	Description	Qty.
9	Nozzle Lock Nut	1
10	Outside Nozzle	1

#### ▲ Air Valve Repair Kit 901086 (57-300)

Ref. No.	Description	Qty.
3	Packing	1
4	Packing Nut	1
14	Air Valve Assembly	1
19	Air Valve Spring	1
20	Air Valve Cap	1

Ref. No.	Order No.	Model No.	Description	Ind. Parts Req.
1	—	—	Syphon Hose (1/4 in. I.D.)	1
2	—	—	Hose Clamp for 1/2 in. O.D. Hose	1
▲3	—	—	Packing	2
▲4	—	—	Packing Nut	1
●5	—	—	Trigger	1
●6	—	—	Trigger Shaft	1
●7	—	—	E-clip	2
8	—	—	Outside Tube	1
□9	*	*	Nozzle Lock Nut	1
□10	*	*	Outside Nozzle	1
11	901069	57-101	Air Tube Assembly	1
12	See 11	See 11	Nozzle	2
13	See 11	See 11	Tube	1
▲14	—	—	Air Valve Assembly	1
15	See 14	See 14	Stem	1
16	See 14	See 14	Washer	1
17	See 14	See 14	Valve Disc Retainer	1
18	See 14	See 14	Valve Disc	1
▲19	—	—	Air Valve Spring	1
▲20	—	—	Air Valve Cap	1
21	—	—	Air Connection	1

\*Note: To adjust fluid flow, loosen Nozzle Lock Nut (#9), and turn Outside Nozzle (#10)

