



TEKNA
PROLITE

PRESSURE FEED SPRAY GUN



Advanced Atomization Technology

- High transfer efficiency for increased material savings
- Includes two air caps which provide exceptional fluid flow, high productivity, and versatility
- Uniform spray pattern yields optimum metallic control




QuickClean™ Technology

- Spray Gun Coating has non-stick properties for fast and easy clean up
- The spray gun is fully coated inside and out for high corrosion resistance and protection
- Scratch resistant coating keeps your gun looking newer for a longer period of time

TEKNA
by DeVilbiss

QUICKCLEAN™
Fastest Cleaning Spray Gun... only from DeVilbiss

Air Cap Information

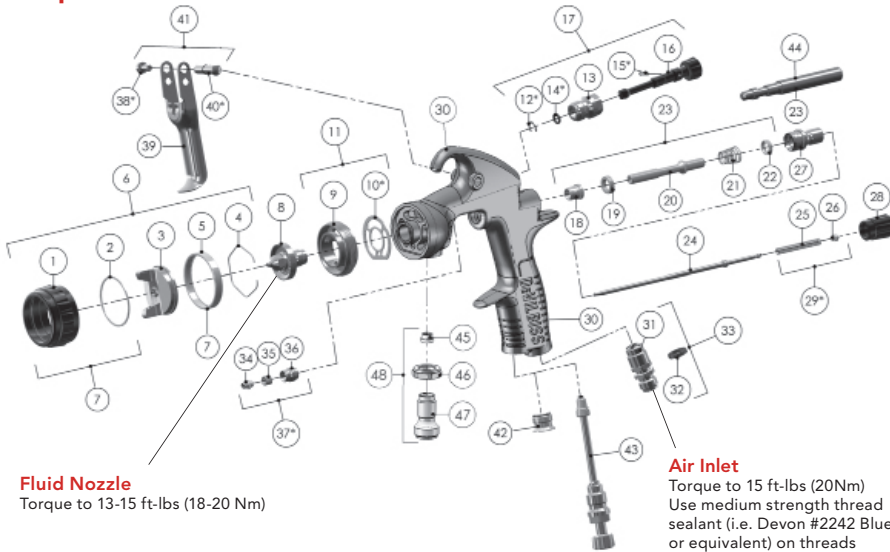
	<p>TE20* High Efficiency Spray Pattern 10-12" long 12-19 CFM 26-50 PSI</p> <p>Coatings Low to Medium Solids 5-12 oz./min.</p> <p>Order No. 703539</p>		<p>TE40 High Efficiency Spray Pattern 11-13" long 13-19 CFM 29-50 PSI</p> <p>Coatings Low to High Solids 5-16 oz./min.</p> <p>Order No. 703626</p>		<p>HV40 HVLP Spray Pattern 11-13" long 17 PSI @ 10.5 CFM</p> <p>Coatings Low to High Solids 5-12 oz./min.</p> <p>Order No. 703621</p>
-----------------------------------------------------------------------------------	-------------------------------------------------------------------------------------------------------------------------------------------------------------------------------------------------	-----------------------------------------------------------------------------------	----------------------------------------------------------------------------------------------------------------------------------------------------------------------------------------------	-----------------------------------------------------------------------------------	-----------------------------------------------------------------------------------------------------------------------------------------------------------------------------

*TE20 sold separately

TEKNA ProLite Pressure Feed

Order No.	Fluid Nozzles (mm)	Cup Type	Air Caps	Analog Gauge
703624	1.0, 1.4	None	TE40, HV40	HAV-512
703663	1.0, 1.2, 1.4	None	TE40, HV40	HAV-512

Exploded View



Fluid Nozzle
Torque to 13-15 ft-lbs (18-20 Nm)

Air Inlet
Torque to 15 ft-lbs (20Nm)
Use medium strength thread sealant (i.e. Devon #2242 Blue or equivalent) on threads

REF. NO.	DESCRIPTION	PART NO.	QTY
1	Air Cap Retaining Ring		1
2	Slip Ring		1
3	Air Cap		1
4	Air Cap Retaining Clip	191972	1
5	Retaining Ring Seal		1
6	Aircap & Ring	See Chart 1	1
7	Air Cap Retaining Ring & Seals	702725	1
8	Fluid Nozzle	See Chart 1	1
9	Spray head		1
*10	Spray head Seal	702726	1
11	Spray head kit	703529	1
*12	Circlip		1
13	Valve Body		1
*14	O Ring		1
*15	Spreader Valve Pin		1
16	Spreader Valve Adjusting Knob		1
17	Spreader Valve Assembly	703630	1
18	Front Valve Seal		1
19	Valve Seat		1
20	Spindle		1
21	Air Valve Spring		1
22	Rear Valve Seal		1
23	Air Valve Kit	703530	1
24	Fluid Needle	See Chart 1	1
25	Needle Spring		1
26	Spring Pad		1
27	Housing & Seal Kit	703532	1
28	Fluid Adjusting Knob	703533	1
*29	Needle Spring Kit	703534	1
30	Gunbody		1
31	Air Inlet		1

REF. NO.	DESCRIPTION	PART NO.	QTY
32	Colour ID Ring Kit (4 Colours)	702735	1
33	Air Inlet Kit	702734	1
34	Needle Packing		1
35	Packing Spring		1
36	Packing Nut		1
*37	Packing, Spring and Packing Nut Kit	702731	1
*38	Trigger Screw		1
39	Trigger		1
*40	Trigger Stud		1
41	Trigger Stud & Screw Kit	703535	1
42	Plug		1
43	Cheater Valve (optional)	702737	1
44	Air Valve Service Tool (only included in the Air Valve Kit 23)		1
45	Seal		1
46	Lock Nut		1
47	Fluid Inlet		1
48	Fluid Inlet Kit	703631	1
SERVICE PARTS			
Spray Gun repair kit (includes items marked *)		703536	
Seal and Pin Kit, kit of 5 (items 12, 14 and 15)		192229	

Chart 1

Size (mm)	Fluid Needle	Fluid Tip
1.0	703629	703627
1.2	703623	703628
1.4	703623	703622

Pressure Feed Accessories



Pressure Tanks

Order No.	Model No.	Capacity	Regulation	3/4 H.P. Air Driven Agitation included
901558	83C-210	2.7 gal.	Single	No
901560	83C-220	2.7 gal.	Double	No
901561	83C-221	2.7 gal.	Double	Yes
930780	183G-520	9.8 gal.*	Double	No (available separately)
180068	QS-5012	Air motor/gearbox drive		
180053	QMG-418	Agitator assy.		

*183G-520 holds a 5-gallon pail



Pressure Tank Liners

Order No.	Model No.	Description
192143	PT-52	Tank Liner (order quantity 10)
192153	PT-52-K60	Tank Liner
191696	PTL-406-K20	Tank Liner



Order No.	Model No.	Capacity	Regulation
120033	KB-555	2-qt.	Yes
192025	KK-5051	EZ Liner Kit for KBII	



Order No.	Model No.	Capacity	Regulation
180037	HD-503	2-qt.	N/A
192026	KK-5052	Adapter fitting & Hose Kit	