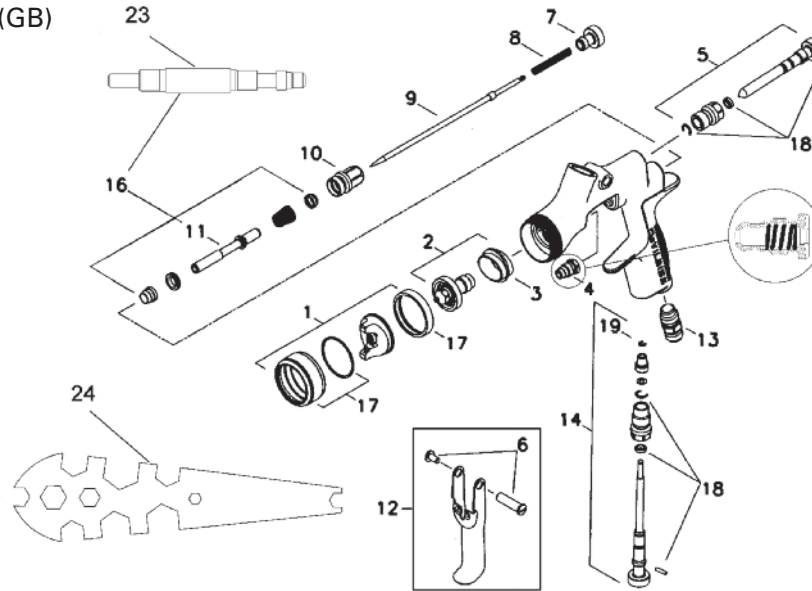


Patent No. 2372465 (GB)



PARTS LIST

Ref. No.	Description	Part Number	Qty.	Options
1	Air Cap/Retaining ring	SP-100-***-K	1	505, 510 e.g *** = 510
2	Fluid Tip	SP-200S.-**-K	1	10, 12, 13, 14 e.g ** =13 =1.3 mm
+3	Separator	SP-626-K5	5	
+4	Needle Packing	GTI-445-K2	2	
5	Spreader Valve	SP-403-K	1	
6	Stud and Screw		1	
7	Needle Adjusting Screw	SP-614-K	1	
+8	Fluid Needle Spring	SP-622-K5	5	
9	Fluid Needle	SP-300S.-**-K	1	10, 12, 13, 14 e.g ** =13 =1.3 mm
10	Airvalve Housing & Seal	SP-612-K	1	
11	Airvalve Spindle		1	
12	Trigger, Stud & Screw Kit	SP-617-CR-K	1	
13	Connector	SP-611-K	1	
14	Airflow Valve	SP-402-K	1	
16	Air Valve Service Kit	SPK-101-K	1	
17	Retaining Ring and Seals	SPK-102-K	1	
+18	Clip, Seal and Pin Kit	GTI-428-K5	5	
23	Air Valve Assembly Tool		1	
24	Spanner	SPN-5-K	1	
	Spraygun Service Kit (parts included marked +)	SPK-402-K	1	

CHART 1

Order No. for Air Cap	Application	Number on Air Cap	Recommended Inlet Pressure (BAR / PSI)	Air Flow (LPM / SCFM)	Recommended Fluid Tip (MM)
802841 (HVLP)	Basecoats – Solvent & Waterborne, Clears, Single Stages, Primers	505	1.0 – 1.2 BAR 14 – 18 PSI	283 – 368 LPM 10 – 13 SCFM	1.2, 1.3, 1.4 (also 1.6 for waterborne only)
802546 (High Efficiency)	Basecoats – Solvent & Waterborne, Clears, Single Stages, Primers	510	1.4 – 1.8 BAR 20 – 26 PSI	212 – 255 LPM 7.5 – 9 SCFM	1.2, 1.3, 1.4 (also 1.6 for waterborne only)

NOTE 1:

HVLP cap must not exceed 0.7 bar (10 psi) air cap pressure with gun fully triggered to maintain HVLP compliance (approximately 18 psi gun inlet pressure).

See ACCESSORIES for air cap test kit which is available to set the exact cap pressure.

Compliance with SCAQMD and other air regulatory agencies requires gun inlet pressure not to exceed 26 psi with gun fully triggered when the high efficiency cap is used. Gun inlet pressure may be adjusted as required to any desired value in areas not requiring EPA compliance.

NOTE 2:

When removing air cap from retaining ring, do not remove cap slip ring or retaining ring seal from retaining ring. Damage to the parts may occur. Slip ring and retaining ring seal are not available as replacements. Simply wipe parts clean and reassemble with new or clean air cap.