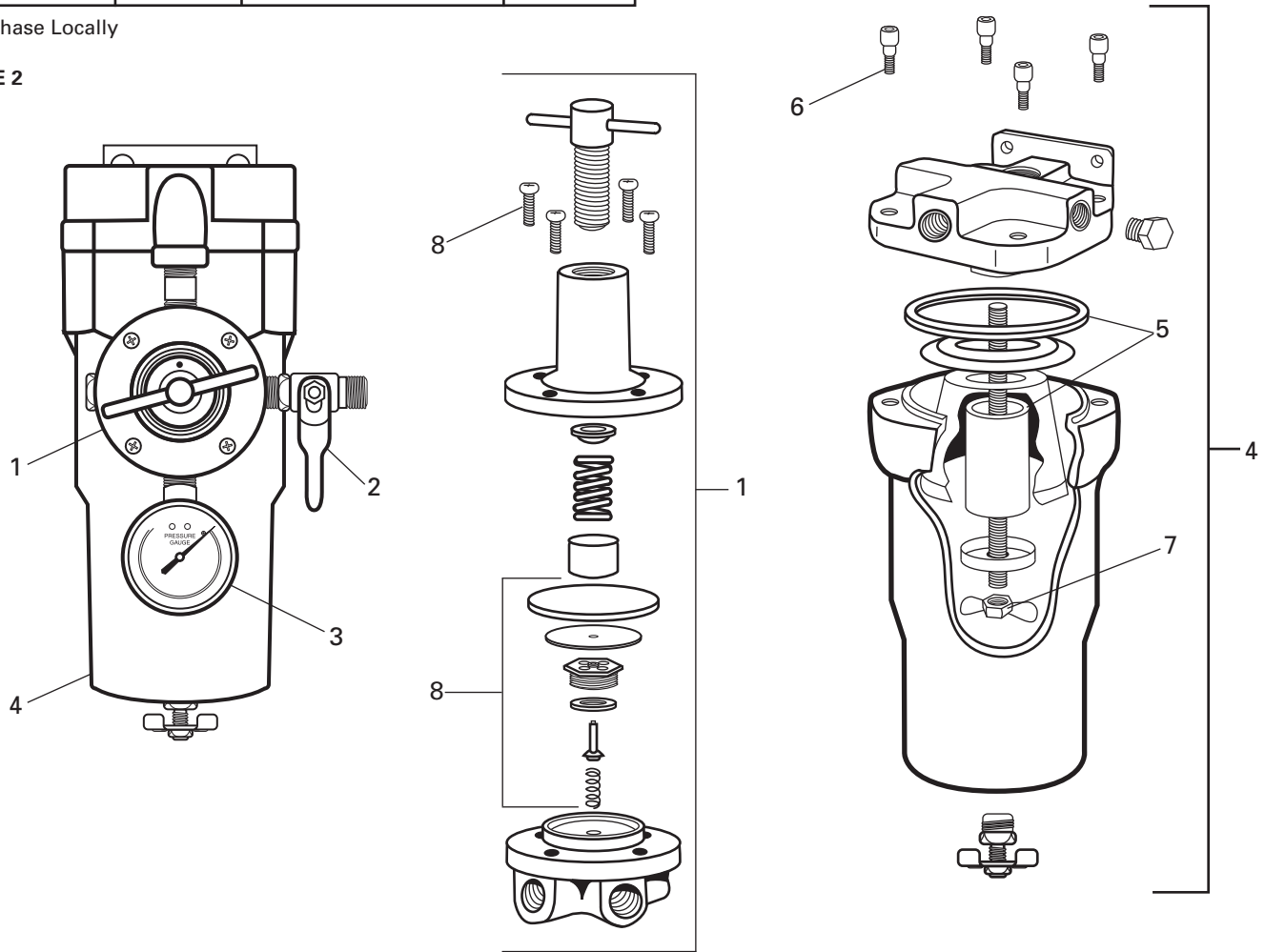


PARTS LIST

Ref. No.	Order No.	Part No.	Description	Individual Parts Req.
1	130100	HAR-520	Regulator	1
2	240160	VA-594	Shut-Off Valve	1
3	192314	GA-375	Pressure Gauge	1
4	803642	HAF-580	80 CFM Filter Unit	1
5	803641	HAF-47	80 CFM Filter Element	1
6	*	*	Socket Head Screw, 1/4-20 x 3/4	4
7	*	*	Wingnut, 1/4-20	1
8	802112	KK-5088	Regulator Kit	1

* Purchase Locally

FIGURE 2



WARRANTY

This product is covered by DeVilbiss' 1 Year Limited Warranty.

DeVilbiss Worldwide Sales and Service Listing: www.devilbiss.com

DeVilbiss Automotive Refinishing

DeVilbiss has authorized distributors throughout the world. For equipment, parts and service, check the Yellow Pages under "Automotive Body Shop Equipment and Supplies." For technical assistance, see listing below.

U.S./Canada Customer Service Office:
 11360 S. Airfield Road, Swanton, OH 43558
 Toll-Free Telephone: 1-800-445-3988 (U.S.A. and Canada only)
 Toll-Free Fax: 1-800-445-6643

