

HAF-517 - 75 CFM CHARCOAL FILTER

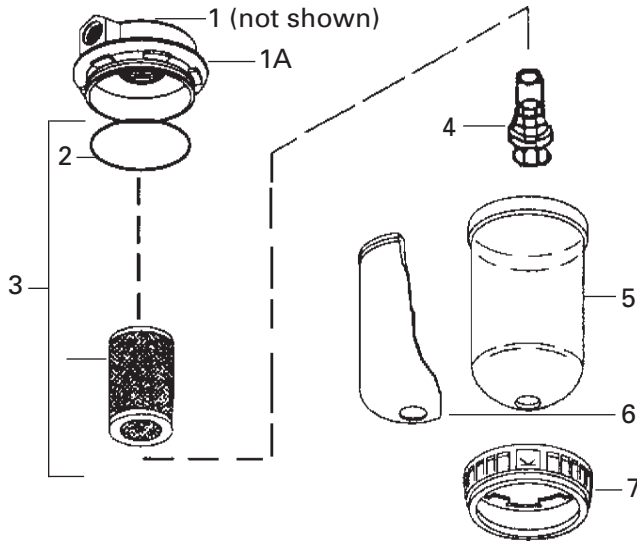


Figure 1 - HAF-517, 75 CFM Charcoal Filter

PARTS LIST

Ref No. Part No.	Replacement	Description	Ind. Parts Req.
1	HAF-404	Filter Change Indicator (not shown)	1
1A	—	Body	1
2	—	O-Ring	1
3	HAF-36	Filter and O-Ring Kit	1
4	HAF-11	Manual Drain	1
5	HAF-8	Plastic Bowl	1
6	HAF-19	Metal Bowl Guard	1
7	HAF-409	Clamp Ring	1

SPECIFICATIONS

Air Filter:

Air Inlet	1/2" NPT(F)
Air Outlet	1/2" NPT(F)
Air Flow Capacity	75 CFM @ 100 PSI
Maximum Inlet Pressure	150 PSIG (10.3 Bar)
Maximum Operating Pressure	150 PSIG (10.3 Bar)
Maximum Temperature	150° F (65.6°C)
Aerosol Filter	0.003 ppm/wt.
Particulate Filter	3.0 micron

IMPORTANT: Read and follow all **INSTRUCTIONS** and **SAFETY PRECAUTIONS** before installing, operating or maintaining this equipment. Keep this manual for future reference.



Risk of explosion or fire.
Improper use can cause personal injury.

- This product is designed and intended for use in industrial compressed air systems only. Do not use for liquids or gasses other than air.

- Do not use where pressure or temperature can exceed rated operating conditions (see specifications).

- Regulated outlet pressure must never be set higher than the maximum operating pressure of the downstream air tool or equipment. An outlet pressure gauge should always be used.



Risk of injury. Do not place unit in service without metal bowl guard installed. Filter units are sold only with metal bowl guards. To minimize the danger of flying fragments in the event of plastic bowl failure, guard must not be removed. If the unit is in service without the metal bowl guard installed, manufacturer's warranties are void and the manufacturer assumes no responsibility for any resulting loss. If unit has been in service and does not have a metal bowl guard, order one and install before placing back in service.



Certain compressor oils, cleaning agents and solvents may attack the plastic and rubber components used in the construction of this product. This product should not be used in conjunction with or in the vicinity of these materials. Read and follow material labels carefully. Please consult DeVilbiss if in doubt.