



PLUS® HIGH EFFICIENCY SUCTION FEED GUN/CUP

Order No. **110265** Model No. **JGA-670**

PLUS® Suction Gun Includes:

- 1.6 mm & 1.8 mm fluid tips
- TGC 1-qt. cup
- High output air adjusting valve with gauge
- Spray gun lube

NEW!
Anodized
Finish



PLUS® High Efficiency Suction Feed Gun

Order No. Model No.	Type	Fluid Tip (mm)	Inlet Pressure	Application
110265 JGA-670	HE	1.6	30-40 PSI	Base coats High and low solids clearcoats Single stages Synthetic and acrylic enamels
			35-45 PSI	
		1.8	30-40 PSI	

CNV. = CONVENTIONAL

PLUS® Suction Feed High Efficiency Air Cap

#410 air cap	Primers, base coats, clearcoats, single stage, and low VOC	Air Cap Order No. 192174 Air Cap Model No. AV-440-410	Air Cap Pattern 12"
Fluid Tips	1.0 mm, 1.2 mm, 1.3 mm, 1.4 mm, 1.6 mm, 1.8 mm (Included tip sizes shown in bold)		

GTi® Millennium HVLP SUCTION FEED GUN/CUP

Order No. **170161** Model No. **GTI-620S**

GTi® Suction Gun Includes:

- 2.0 mm & 2.2 mm fluid tips
- TGC 1-qt. cup
- High output air adjusting valve with gauge
- Spray gun lube

NEW!
Anodized
Finish



GTi® Millennium HVLP Suction Feed Gun

Order No. Model No.	Type	Fluid Tip (mm)	Inlet Pressure	Application
170161 GTI-620S	HVLP	2.0	20-25 PSI	Base coats Low and high solids, clearcoats and single stages
		2.2	25-30 PSI	

CNV. = CONVENTIONAL

GTi® Millennium Suction Feed HVLP Air Cap

#2000 air cap (HVLP)	Base coats, clearcoats, primers, single stage, and low VOC	Air Cap Order No. 192136 Air Cap Model No. GTI-407-2000 4-10 PSI (air cap)	Air Cap Pattern 11"
Fluid Tips	1.0 mm, 1.2 mm, 1.3 mm, 1.4 mm, 1.5mm, 1.6 mm, 1.8 mm, 2.0 mm, 2.2 mm (Included tip sizes shown in bold)		

Refer to Service Bulletins: SB-2-475 (JGA-670), SB-2-473 (GTI-620S)

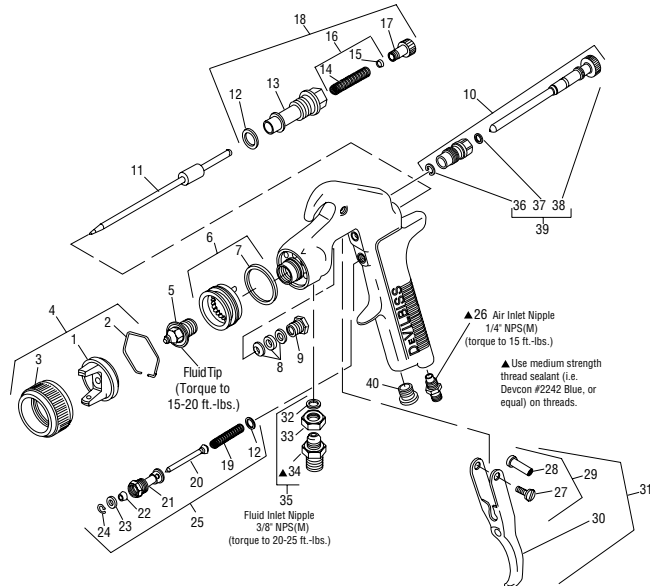


Chart 1
GTI-620S Fluid Tips

Fluid Tip No.	Tip Size I.D. in.	Tip Size I.D. mm
GTI-213-18	.070	1.8
GTI-213-20	.078	2.0
GTI-213-22	.086	2.2

Chart 2
JGA-670 Fluid Tips

Fluid Tip No.	Tip Size I.D. in.	Tip Size I.D. mm
AV-213-14	.055	1.4
AV-213-16	.063	1.6
AV-213-18	.070	1.8

Ref. No.	Description	Part No.	Ind. Parts Req.	Ref. No.	Description	Part No.	Ind. Parts Req.
1	Air Cap	—	1	28	Trigger Stud	—	1
2	Spring Clip (Kit of 10)	JGA-156-K10	1	29	Stud and Screw Kit	JGS-478	1
3	Air Cap Retaining Ring	GTI-3	1	30	Trigger	—	1
4	#100 Air Cap & Retaining Ring (GTI-620S)	GTI-407-100	1	31	Trigger Stud, Screw Kit	JGS-477-1	1
	#2000 Air Cap & Retaining Ring (GTI-620S)	GTI-407-2000	1	*32	Fluid Inlet Gasket (PTFE)	—	1
	#410 Air Cap & Retaining Ring (JGA-670)	AV-440-410	1	33	Locknut	—	1
5	Fluid Tip	See Charts 1 & 2	1	34	Fluid Inlet Adapter	—	1
6	Baffle Assembly	GTI-425	1	35	Fluid Inlet, Gasket, Nut Kit	JGA-4042	1
*7	Baffle Seal (Kit of 5)	GTI-33-K5	1	*36	Retaining Clip	—	1
*8	Packing (Kit of 5)	JGA-4035-K5	1	*37	Seal	—	1
9	Packing Nut (Kit of 10)	34411-122-K10	1	*38	Pin	—	1
10	Spreader Valve Gasket	GTI-405	1	39	Clip, Seal & Pin Kit (5 each)	GTI-428-K5	1
11	Fluid Needle for GTI-620S	GTI-413	1	40	Plug for JGA-670 ONLY	—	1
11	Fluid Needle for JGA-670	GTI-413	1				
*12	Gasket Kit (PTFE) (Kit of 10)	JGS-72-K10	2				
13	Body Bushing	—	1				
*14	Fluid Needle Spring	—	1				
*15	Spring Pad	—	1				
16	Spring and Pad	MBD-19-K1	1				
17	Needle Adjusting Screw (Kit of 10)	GTI-414	1				
18	Bushing, Spring, Pad and Knob Kit	KK-5059	1				
*19	Air Valve Spring	—	1				
*20	Air Valve	—	1				
21	Air Valve Body	—	1				
*22	U-Cup Seal	—	1				
*23	Washer	—	1				
*24	Snap Ring	—	1				
25	Air Valve Assembly	JGS-449-1	1				
26	Air Inlet Nipple 1/4" NPS(M)	P-MB-51	1				
27	Trigger Stud Screw	—	1				

• A quantity of necessary parts is included in Repair Kit KK-5058-2 for complete gun repair and should be kept on hand for service convenience.

Suffixes: -K5 designates kit of multiple parts. Example: JGA-4035-K5 is a kit of 5 packings.

● Repair Kit KK-5058-2

Ref. No.	Description	Qty.
7	Baffle Seal (Kit of 5)	1
8	Packing (Kit of 5)	1
12	Gasket Kit (PTFE) (Kit of 10)	2
14	Fluid Needle Spring	1
15	Spring Pad	1
19	Air Valve Spring	1
20	Air Valve	1
22	U-Cup Seal	1
23	Washer	1
24	Snap Ring	1
32	Fluid Inlet Gasket (PTFE)	1
36	Retaining Clip	1
37	Seal	1
38	Pin	1