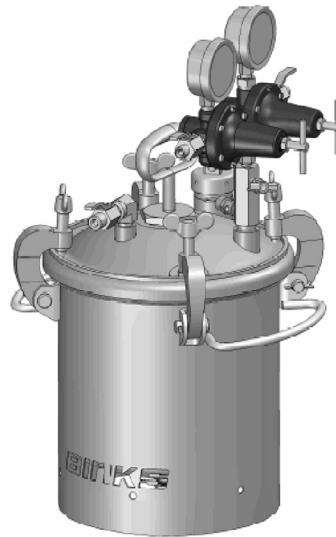




183G (GALVANIZED) AND 183S (STAINLESS STEEL) 2-GALLON ASME TANKS CAPACITY UP TO 2.8 GALLONS



**Important:
Read and follow all
instructions and
SAFETY PRECAUTIONS
before using this
equipment. Retain for
future reference.**

DESCRIPTION

Binks pressure feed tanks are intended for use as a pressure container to supply material at a constant preset pressure up to a maximum of 110 psi. The tanks are built to ASME specifications.

GALVANIZED 2-GALLON MODELS

Tank Model	Regulation	Agitation
183G-200	None	None
183G-210	Single (Regulated air to tank only)	None
183G-211	Single (Regulated air to tank only)	Direct Drive
183G-213	Single (Regulated air to tank only)	Gear-reduced (Heavy-duty)
183G-220	Double (Regulated air to tank and gun)	None
183G-221	Double (Regulated air to tank and gun)	Direct Drive
183G-223	Double (Regulated air to tank and gun)	Gear-reduced (Heavy-duty)
183G-230	Extra Sensitive	None
183G-231	Extra Sensitive	Direct Drive
183G-233	Extra Sensitive	Gear-reduced (Heavy-duty)
183G-240	Extra Sensitive w/ gun regulation	None
183G-241	Extra Sensitive w/ gun regulation	Direct Drive
183G-243	Extra Sensitive w/ gun regulation	Gear-reduced (Heavy-duty)

STAINLESS STEEL 2-GALLON MODELS

Tank Model	Regulation	Agitation
183S-200	None	None
183S-210	Single (Regulated air to tank only)	None
183S-211	Single (Regulated air to tank only)	Direct Drive
183S-213	Single (Regulated air to tank only)	Gear-reduced (Heavy-duty)
183S-220	Double (Regulated air to tank and gun)	None
183S-221	Double (Regulated air to tank and gun)	Direct Drive
183S-223	Double (Regulated air to tank and gun)	Gear-reduced (Heavy-duty)
183S-230	Extra Sensitive	None
183S-231	Extra Sensitive	Direct Drive
183S-233	Extra Sensitive	Gear-reduced (Heavy-duty)
183S-240	Extra Sensitive w/ gun regulation	None
183S-241	Extra Sensitive w/ gun regulation	Direct Drive
183S-243	Extra Sensitive w/ gun regulation	Gear-reduced (Heavy-duty)

In this part sheet, the words **WARNING**, **CAUTION** and **NOTE** are used to emphasize important safety information as follows:

⚠ WARNING
Hazards or unsafe practices which could result in severe personal injury, death or substantial property damage.

⚠ CAUTION
Hazards or unsafe practices which could result in minor personal injury, product or property damage.

NOTE
Important installation, operation or maintenance information.

⚠ WARNING

Read the following warnings before using this equipment.



READ THE MANUAL

Before operating finishing equipment, read and understand all safety, operation and maintenance information provided in the operation manual.



OPERATOR TRAINING

All personnel must be trained before operating finishing equipment.



EQUIPMENT MISUSE HAZARD

Equipment misuse can cause the equipment to rupture, malfunction, or start unexpectedly and result in serious injury.



DE-ENERGIZE, DEPRESSURIZE, DISCONNECT AND LOCK OUT ALL POWER SOURCES DURING MAINTENANCE

Failure to De-energize, disconnect and lock out all power supplies before performing equipment maintenance could cause serious injury or death.



HIGH PRESSURE CONSIDERATION

High pressure can cause serious injury. Relieve all pressure before servicing. Spray from the spray gun, hose leaks, or ruptured components can inject fluid into your body and cause extremely serious injury.



PRESSURE RELIEF PROCEDURE

Always follow the pressure relief procedure in the equipment instruction manual.



KEEP EQUIPMENT GUARDS IN PLACE

Do not operate the equipment if the safety devices have been removed.



AUTOMATIC EQUIPMENT

Automatic equipment may start suddenly without warning.



INSPECT THE EQUIPMENT DAILY

Inspect the equipment for worn or broken parts on a daily basis. Do not operate the equipment if you are uncertain about its condition.



NEVER MODIFY THE EQUIPMENT

Do not modify the equipment unless the manufacturer provides written approval.



KNOW WHERE AND HOW TO SHUT OFF THE EQUIPMENT IN CASE OF AN EMERGENCY



STATIC CHARGE

Fluid may develop a static charge that must be dissipated through proper grounding of the equipment, objects to be sprayed and all other electrically conductive objects in the dispensing area. Improper grounding or sparks can cause a hazardous condition and result in fire, explosion or electric shock and other serious injury.



WEAR SAFETY GLASSES

Failure to wear safety glasses with side shields could result in serious eye injury or blindness.



GET IMMEDIATE MEDICAL ATTENTION

To prevent contact with the fluid, please note the following:

- Never point the gun/valve at anyone or any part of the body.
- Never put hand or fingers over the spray tip.
- Never attempt to stop or deflect fluid leaks with your hand, body, glove or rag.
- Always have the tip guard on the spray gun before spraying.
- Always ensure that the gun trigger safety operates before spraying.
- Always lock the gun trigger safety when you stop spraying.



MEDICAL ALERT

Any injury caused by high pressure liquid can be serious. If you are injured or even suspect an injury:

- Go to an emergency room immediately.
- Tell the doctor you suspect an injection injury.
- Show the doctor this medical information or the medical alert card provided with your airless spray equipment.
- Tell the doctor what kind of fluid you were spraying or dispensing.
- Refer to the Safety Data Sheet for specific information.



WEAR RESPIRATOR

Toxic fumes can cause serious injury or death if inhaled. Wear a respirator as recommended by the fluid and solvent manufacturer's Safety Data Sheet.



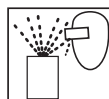
TOXIC FLUID & FUMES

Hazardous fluid or toxic fumes can cause serious injury or death if splashed in the eyes or on the skin, inhaled, injected or swallowed. LEARN and KNOW the specific hazards or the fluids you are using.



FIRE AND EXPLOSION HAZARD

Improper equipment grounding, poor ventilation, open flame or sparks can cause hazardous conditions and result in fire or explosion and serious injury.



PROJECTILE HAZARD

You may be injured by venting liquids or gases that are released under pressure, or flying debris.



ELECTRIC SHOCK / GROUNDING

Improper grounding or sparks can cause a hazardous condition and result in fire, explosion or electric shock and other serious injury.



PINCH POINT HAZARD

Moving parts can crush and cut. Pinch points are basically any areas where there are moving parts.



NOISE HAZARD

You may be injured by loud noise. Hearing protection may be required when using this equipment.



PROP 65 WARNING






WARNING: This product contains chemicals known to the State of California to cause cancer and birth defects or other reproductive harm.

IT IS THE RESPONSIBILITY OF THE EMPLOYER TO PROVIDE THIS INFORMATION TO THE OPERATOR OF THE EQUIPMENT.

FOR FURTHER SAFETY INFORMATION REGARDING BINKS AND DEVILBISS EQUIPMENT, SEE THE GENERAL EQUIPMENT SAFETY BOOKLET (77-5300).

2-GALLON ASME TANKS – SAFEGUARDS

The following hazards may occur during the normal use of this equipment. Please read the following chart.

HAZARD	CAUSE	SAFEGUARDS
<p>Fire</p> 	<p>Solvents and coatings can be highly flammable or combustible, especially when sprayed.</p>	<ol style="list-style-type: none"> 1. Adequate exhaust must be provided to keep the air free of accumulations of flammable vapors. 2. Smoking must never be allowed in the spray area. 3. Fire extinguishing equipment must be present in the spray area.
<p>Fire – Pressure tank</p> 	<p>Vapors from flammable liquids can catch fire or explode.</p>	<p>Keep tank at least 10 feet away from sources of ignition. Ignition sources include hot objects, mechanical sparks, and arcing (non -explosion proof) electrical equipment.</p>
<p>Explosion Hazard – Pressure Tank – Static Electricity</p> 	<p>Static electricity is created by the flow of fluid through the pressure tank and hose. If all parts are not properly grounded, sparking may occur. Sparks can ignite vapors from solvents and the fluid being sprayed.</p>	<ol style="list-style-type: none"> 1. Ground the pressure tank by connecting one end of 12 gauge (minimum) ground wire to the pressure tank and the other end to a true earth ground. Local codes may have additional grounding requirements. 2. See illustration on page 6 for grounding and grounding hardware required.
<p>Explosion Hazard – Pressure Tank – Rupture</p> 	<p>Making changes to a pressure tank will weaken it.</p>	<ol style="list-style-type: none"> 1. Never drill into, weld, or modify the tank in any way. 2. Do not adjust, remove, or tamper with the safety valve. If replacement is necessary, use the same type and rating of valve.
<p>Explosion Hazard – Galvanized Tanks – Material Compatibility</p> 	<p>Halogenated hydrocarbon solvents – for example 1-1-1 Trichloroethane and methylene chloride – can chemically react with aluminum parts and components and cause an explosion hazard. These solvents will also corrode the galvanized tank coating.</p>	<ol style="list-style-type: none"> 1. Read the label or data sheet for the material. Do not use materials containing these solvents with galvanized pressure tanks. Stainless steel tank models may be used with halogenated solvents. 2. Refer to specifications chart to ensure that fluids are chemically compatible with the tank wetted parts. Before placing fluids or solvents in tank, always read accompanying manufacturer’s literature.
<p>General Safety</p>	<p>Improper operation or maintenance may create a hazard.</p>	<p>Operators should be given adequate training in the safe use and maintenance of the equipment (in accordance with the requirements of NFPA-33, Chapter 15 in U.S.) Users must comply with all local and national codes governing ventilation, fire precautions, operation, maintenance, and housekeeping (in the U.S., these are OSHA sections 1910.94 and 1910.107, and NFPA-33.</p>

<p>⚠ WARNING</p> <p>High pressure can cause serious injury.</p> <p>Pressure is maintained in a pressure tank after the system has been shut down.</p> <p>Always follow this procedure to relieve pressure from the tank.</p>	<p>PRESSURE RELIEF PROCEDURE</p> <p>To reduce the risk of injury, follow the pressure relief procedure below</p> <ul style="list-style-type: none"> <li style="width: 33%;">• Before checking or servicing any part of the spray system <li style="width: 33%;">• Before attempting removal of fill port cap or tank cover <li style="width: 33%;">• Whenever the tank is left unattended <ol style="list-style-type: none"> 1. Turn off the main air supply to the tank. 2. Close the air inlet valve located on the tank air manifold. 3. Bleed off air in the tank by turning the air relief valve (5) thumb screw counterclockwise. Wait until all the air has escaped through the valve before removing the pressure tank cover or fill port cap. 4. Leave the air relief valve open until you have reinstalled the tank cover or fill port cap.
---	---

2-GALLON ASME TANKS – SPECIFICATIONS & OPTIONS

SPECIFICATIONS		
	GALVANIZED TANKS	STAINLESS STEEL TANKS
Maximum Working Pressure	110 psi	110 psi
Tank Shell	SA-414 Steel, Galvanized (Zinc)	304 Stainless Steel
Tank Lid	SA-414 Steel, Galvanized (Zinc)	304 Stainless Steel
Fluid Tube	3/8 in. Steel Pipe, Galvanized	3/8 in. SS Pipe, 316 Stainless Steel
Fluid Outlet (Elbow)	Steel, Zinc Plate	316 Stainless Steel
Fluid Valve, Outlet	Brass, Nickel Plate 3/8-18 NPS(M)	316 Stainless Steel 3/8-18 NPS(M)
Agitator Paddle/Propeller	Nylon, Glass Filled	Nylon, Glass Filled
Agitator Shaft	Steel, Zinc Plate	303 Stainless Steel
Agitator Shaft Seal	Engineered PTFE, Stainless Steel	Engineered PTFE, Stainless Steel
Air Manifold	Steel, Zinc Plate	Steel, Zinc Plate
Plug (Air Manifold Coupling)	Steel, Zinc Plate	18-8 Stainless Steel
Bottom Outlet (Optional Kit)	304 Stainless Steel 3/4-14 NPS(M)	304 Stainless Steel 3/4-14 NPS(M)

AIR CONTROL OPTIONS	
TYPE	APPLICATION
No Regulation (Air inlet pressure gauge only)	Holding tanks, Transfer tanks, Used where precision fluid pressure control is not required.
Standard Single Regulation	Provides standard fluid pressure control only. For use where precision control of both fluid and air pressures is not required. Also Used where atomization air can be taken from filter/regulator air lines.
Standard Double Regulation	Precision control for use with materials that are best applied at low, closely controlled, fluid and atomization air pressures. Used with portable air compressors or with air lines when no other means of air pressure regulation is available.
Extra Sensitive Regulation	Provides extremely accurate, low pressure, fluid pressure control
Extra Sensitive Regulation with Standard Gun Regulation	Provides extremely accurate, low pressure, fluid pressure control plus precision control of spray gun atomizing air.

AGITATION OPTIONS	
TYPE	APPLICATION
No Agitation	Materials that require minimal or no mixing and/or readily hold any solids in suspension.
Direct Drive Agitation	Low to medium viscosity materials that require mixing and/or solids suspension.
Gear-reduced Drive Agitation	Heavy-duty agitator for medium to high viscosity materials that require mixing and/or solids suspension.

2-GALLON ASME TANKS – OPERATION & SERVICE CHECKS

⚠ WARNING

High pressure can cause serious injury.

Pressure is maintained in a pressure tank after the system has been shut down.

Follow the pressure-relief procedure on page 3 before opening the lid or fill port or performing maintenance on the tank.

PREPARATION

Mix and prepare material to be used according to manufacturer's instructions. Strain material through a fine mesh screen to remove lumps, skin, and foreign matter that might enter and clog fluid passages and/or spray equipment.

Follow pressure relief procedure above.

To add material to the tank, remove the lid and pour directly into the tank or container.

If desired, a U.S. or metric 1 gallon pail of fluid can be placed directly into the tank.

Replace the lid assembly and tighten thumb screws (17) securely.

The air supply to the tank should include a filter/water separator to filter dirt from the air and remove water and oil.

Connect the material hose to the fluid outlet ball valve (8).

OPERATION

1. Close the air inlet valve to tank. Turn handle on regulator counterclockwise until spring tension is relieved.
2. Turn on air supply to the tank.
3. Open the air inlet valve to the tank.
4. Open the fluid outlet valve.
5. Turn handle on tank pressure regulator clockwise to pressurize tank.
6. Turn on atomization air to spray gun at source of supply.
7. Test spray. For further instructions consult literature provided with spray gun.
8. If an air motor driven agitator is used, start the agitator by slowly opening up the needle valve. Air motor speed should be regulated according to the nature of the material being agitated.
4. Loosen thumb screws (17), tip clamps (16) back and tip lid (11) to one side of tank. Do not remove lid from tank.
5. Loosen spray gun air cap retaining ring about three turns.
6. Turn on air supply.
7. Cup cloth over air cap on the gun and pull trigger. This will force material back through the hose into the tank.
8. Empty and clean tank and parts that come into contact with material. Use a solvent compatible with material being used.
9. Pour solvent into tank.
10. Replace lid and tighten thumb screws and clamps.
11. Spray until clean solvent appears.
12. Repeat steps 4 through 8.

MAINTENANCE

To clean equipment, proceed as follows:

1. Turn off the air supply.
2. Follow the pressure relief procedure.
3. Turn T-handle adjusting screw on tank fluid pressure regulator counterclockwise until no spring pressure is felt.

LUBRICATION – Agitated Models

Refer to the service manual provided with the air motor for lubrication information.

The bearings in the agitator bearing assembly are impregnated with special non-gumming oil. Additional lubrication is not required.

The agitator shaft seal does not require lubrication.

SERVICE CHECKS

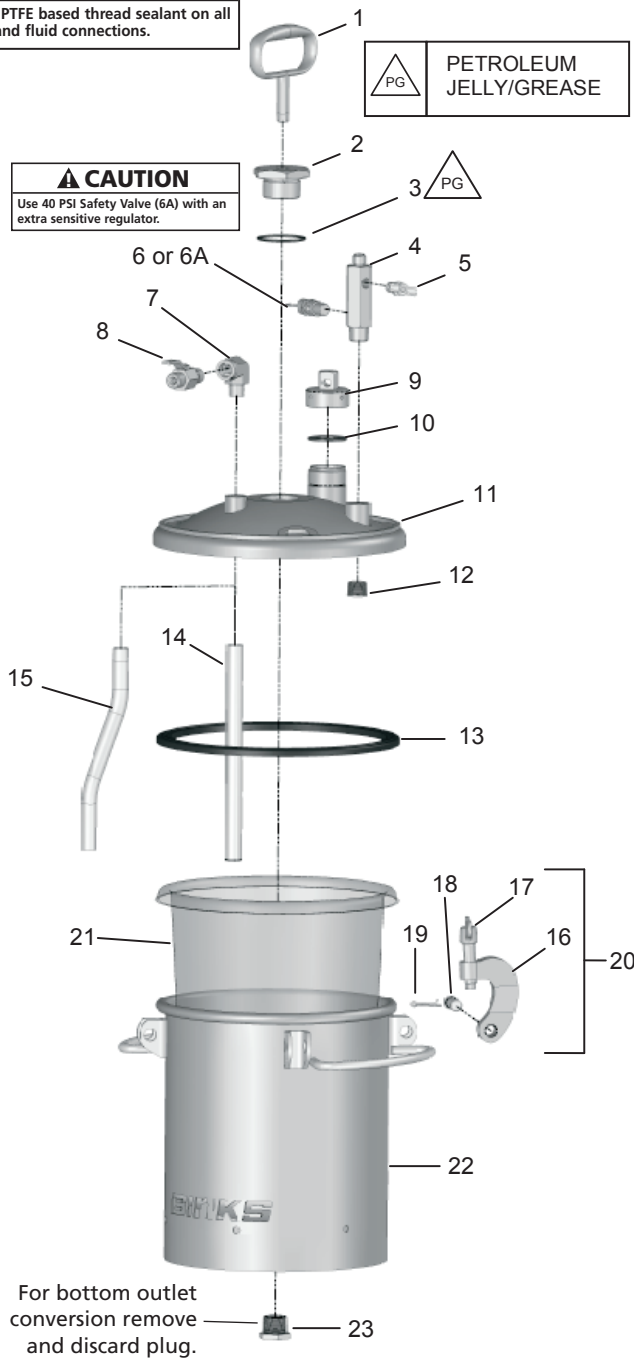
CONDITION	CAUSE	CORRECTION
Air escaping from port on regulator cap.	Broken or damaged diaphragm	Replace diaphragm.
Pressure creepage registered on gauge.	Dirty or worn valve seat in regulator.	Clean or replace valve seat.
Material tends to settle out rapidly.	Not enough agitation of material.	Increase agitation.
Air leakage at agitator seal.	Defective seal assembly.	Replace.
Paint getting into bearing assembly of agitator.	1. Paint level in tank too high. 2. Defective agitator shaft seal.	1. Keep fluid level under bearing ass'y. 2. Replace
Fluid or air leak at lid gasket.	1. Thumb screw not tight. 2. Defective lid gasket.	1. Tighten. 2. Replace.
Fluid or air leak at fill port gasket.	1. Fill port cap not tight. 2. Defective fill port gasket.	1. Tighten. 2. Replace.
Air mixing with paint	1. Fluid tube not sealed to lid. 2. Excessive agitation.	1. Tighten fluid tube into lid. 2. Reduce speed of agitator.

2-GALLON GALVANIZED AND STAINLESS STEEL TANK ASSEMBLIES

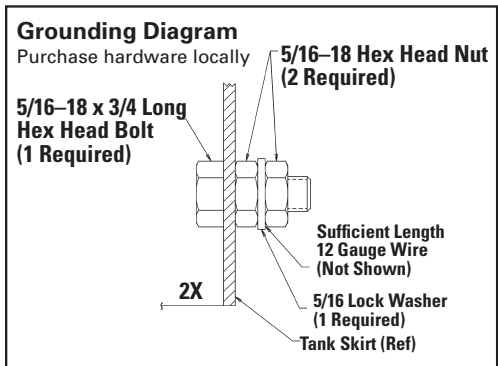
NOTE
Use PTFE based thread sealant on all air and fluid connections.

PG
PETROLEUM
JELLY/GREASE

CAUTION
Use 40 PSI Safety Valve (6A) with an extra sensitive regulator.



For bottom outlet conversion remove and discard plug.



ITEM NO.	GALV. TANK PART NO.	S.S. TANK PART NO.	DESCRIPTION	QTY.
1	▲ QN-97	QN-97	HANDLE	1
2	QMG-17	QMS-2	PLUG (NON-AGITATED MODELS ONLY)	1
3	▲ ■ SSG-8184-K2	SSG-8184-K2	O-RING (KIT OF 2)	1
4	QMG-21	QMG-21	AIR MANIFOLD	1
5	SS-2707	SS-2707	AIR RELIEF VALVE 1/4 NPT-M	1
6	TIA-5110	TIA-5110	SAFETY VALVE ASSY, 110 PSI	1
6A	TIA-5040	TIA-5040	SAFETY VALVE ASSY, 40 PSI (EXTRA SENSITIVE ONLY)	1
7	• ---- (Brass)	SSP-1939 (S.S.)	STR ELBOW (3/8-18)	1
8	VA-540	VA-527	BALL VALVE 3/8 NPS OUTLET	1
9	83-524-K	83-524-K	FILL PORT CAP (INCL ITEM 10)	1
10	83-1207-K5	83-1207-K5	FILL PORT CAP GASKET (QTY PACK)	1
11	QMG-400-1	QMS-416-1	TANK LID	1
12	SSP-1439-ZN	20-6858	PLUG (1/2-14)	1
13	QMS-80-1	QMS-80-1	TANK GASKET 2 GAL	1
14	PT-31	QMS-9-1	FLUID TUBE (DIR DRIVE AGIT)	1
15	QMG-35	QMS-53-1	FLUID TUBE (GEAR REDUCED AGIT)	1
16	----	----	CLAMP (SEE ITEM 20)	4
17	QMG-46	QMG-46	THUMBSCREW (SEE ITEM 20)	4
18	----	----	CLEVIS PIN (SEE ITEM 20)	4
19	----	----	COTTER PIN, 1/8 DIA. X 1" LG. (SEE ITEM 20)	4
20	+ KK-5013	KK-5013	CLAMP, PIN, & SCREW KIT (INCL 16, 17, 18, & 19)	4
21	PT-78-K10, K60	PT-78-K10, K60	DISPOSABLE TANK LINER (10 OR 60 EACH)	1
22	QMG-502-1	QMS-502-1	TANK & LUG ASSY	1
23	----	----	BOTTOM PLUG	1
24	▲ QMG-429	QMS-428	AIR MOTOR ASSY	1
25	▲ HAV-500-B	HAV-500-B	AIR ADJUSTING VALVE	1
26	▲ H-2008	H-2008	NIPPLE 1/4 NPS x 1/4 NPT	2
27	▲ • ----	----	STREET ELBOW (1/4-18 NPT, BRASS)	2
28	▲ ----	----	SET SCREW (1/4-20 X 1/4)	2
29	▲ # ----	----	ADAPTER (SEE ITEM 30)	1
30	▲ KK-4990	KK-4991	SEAL RETAINER KIT (INCL 28, 29, 34,35)	1
31	▲ ----	----	SHAFT SEAL 1/2 I.D. (DIR. DRIVE AGIT)	1
32	▲ ----	----	INTERNAL RETAINING RING (DIR. DRIVE AGIT)	1
33	▲ KK-5041	KK-5041	SHAFT SEAL KIT (DIR. DRIVE AGIT)	1
34	▲ • ----	----	SET SCREW (1/4-20 X 1/4) S.S.	2
35	▲ # ----	----	SHAFT COUPLING (SEE ITEM 30)	1
36	▲ QMG-56	QMS-73	AGITATOR SHAFT	1
37	▲ • ----	----	SQ HD SET SCREW, 1/4-20 X 3/8, S.S.	1
38	▲ ----	----	PROPELLOR	1
39	▲ QMS-448	QMS-448	AGITATOR PROPELLER KIT (DIR. DRIVE)	1
40	■ QMS-46	QMS-46	RETAINING NUT	1
41	■ KK-5049	KK-5049	THRUST WASHER (KIT OF 2/EA)	1
42	■ ----	----	THRUST COLLAR	1
43	■ • ----	----	SET SCREW, 5/16-18 X 3/8	1
44	■ QMS-447	QMS-447	THRUST COLLAR KIT (INCL. 42 and 43)	1
45	■ QMG-409	QMS-407	BEARING ASSY.	1
46	■ ----	----	SHAFT SEAL 5/8 I.D. (GEAR REDUCED AGIT)	1
47	■ ----	----	INTERNAL RETAINING RING (GEAR REDUCED AGIT)	1
48	■ KK-5042	KK-5042	SHAFT SEAL KIT (GEAR REDUCED AGIT)	1
49	■ QMG-15	QMS-5	AGITATOR SHAFT	1
50	■ ----	----	AGITATOR PADDLE	1
51	■ ----	----	SOC HD CAP SCREW, 5/16-18 X 1-1/4, S.S.	1
52	■ QMS-449	QMS-449	AGITATOR PADDLE KIT (INCL 51 AND 52)	1
53	QS-5012-1	QS-5012-1	AIR MOTOR/GEARBOX DRIVE	1
54	▲ HA-57011	HA-57011	AIR HOSE ASSY	1
55	SSP-30-ZN	SSP-30-ZN	SWIVEL ELBOW	1
56	*** SEE PAGES 9 & 10 ***	----	AIR CONTROL	1
57	• ----	----	PLUG, 3/8 NPT, SS (NOT SHOWN) FOR USE ONLY WITH BOTTOM OUTLET KIT. REPLACES ITEMS 7 AND 8. PURCHASE LOCALLY.	1

• Purchase locally.

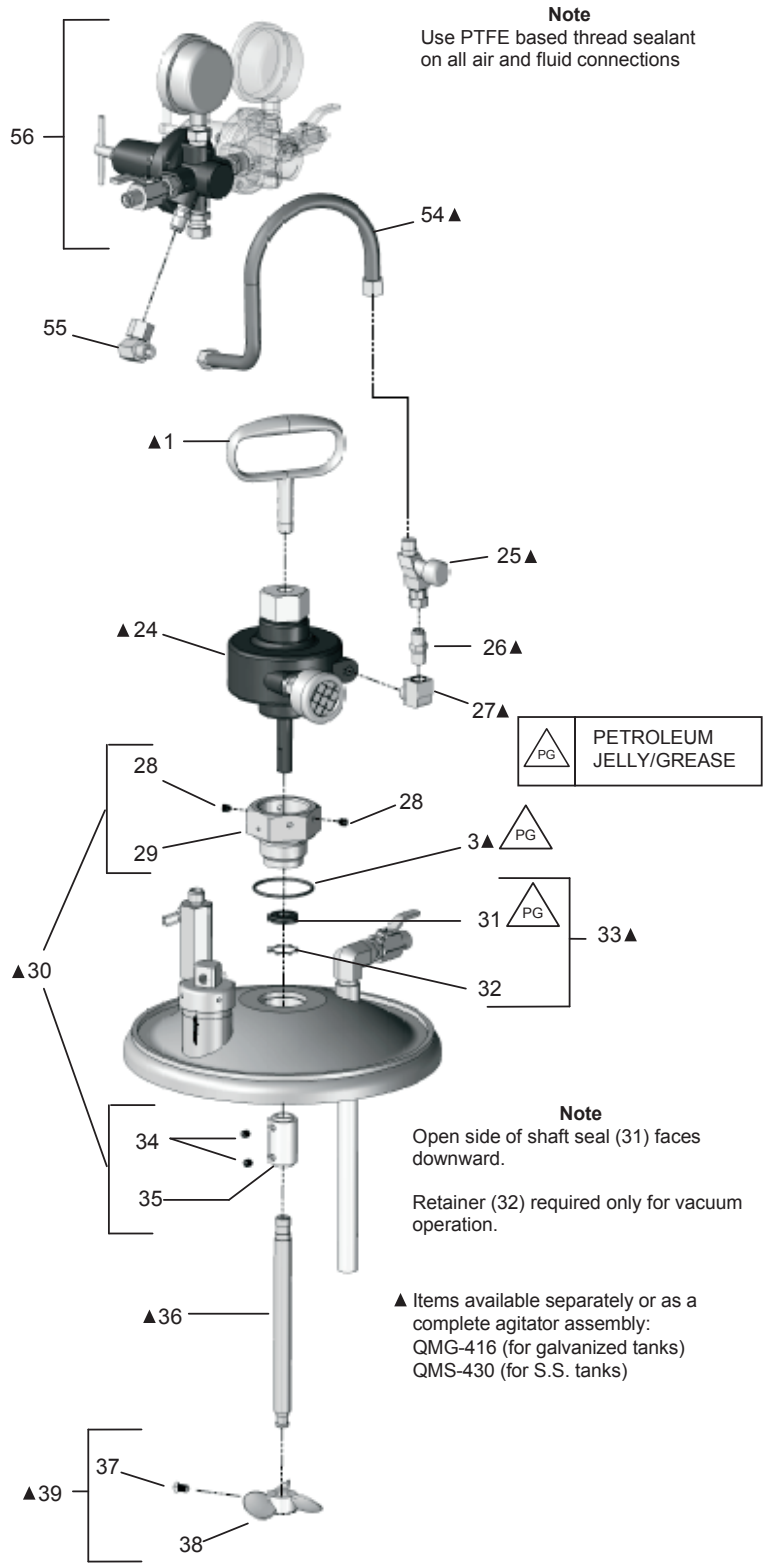
+ KK-5013 Clamp, Pin, and Screw Kit includes 1 each of items 16, 17, 18, and 19.

When replacing either Item Number 29 or 35, you must order KK-4990 (Galvanized) or KK-4991 (Stainless Steel) which include both parts.

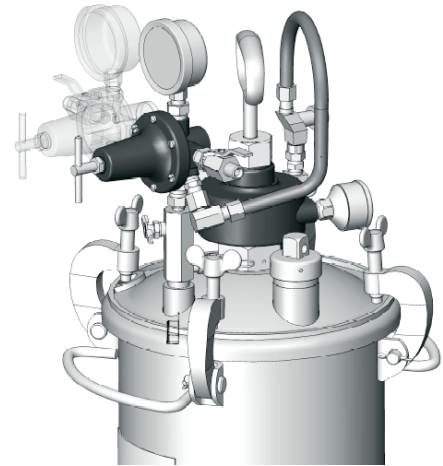
▲ Items available separately or as a complete agitator assembly:
QMG-416 (for galvanized tanks)
QMS-430 (for S.S. tanks)

■ Items available separately or as a gear-reduced agitator (less drive):
QMG-417 (for galvanized tanks)
QMS-431 (for S.S. tanks)

DIRECT DRIVE AGITATOR



DIRECT DRIVE AGITATOR-REGULATOR HOOK-UP

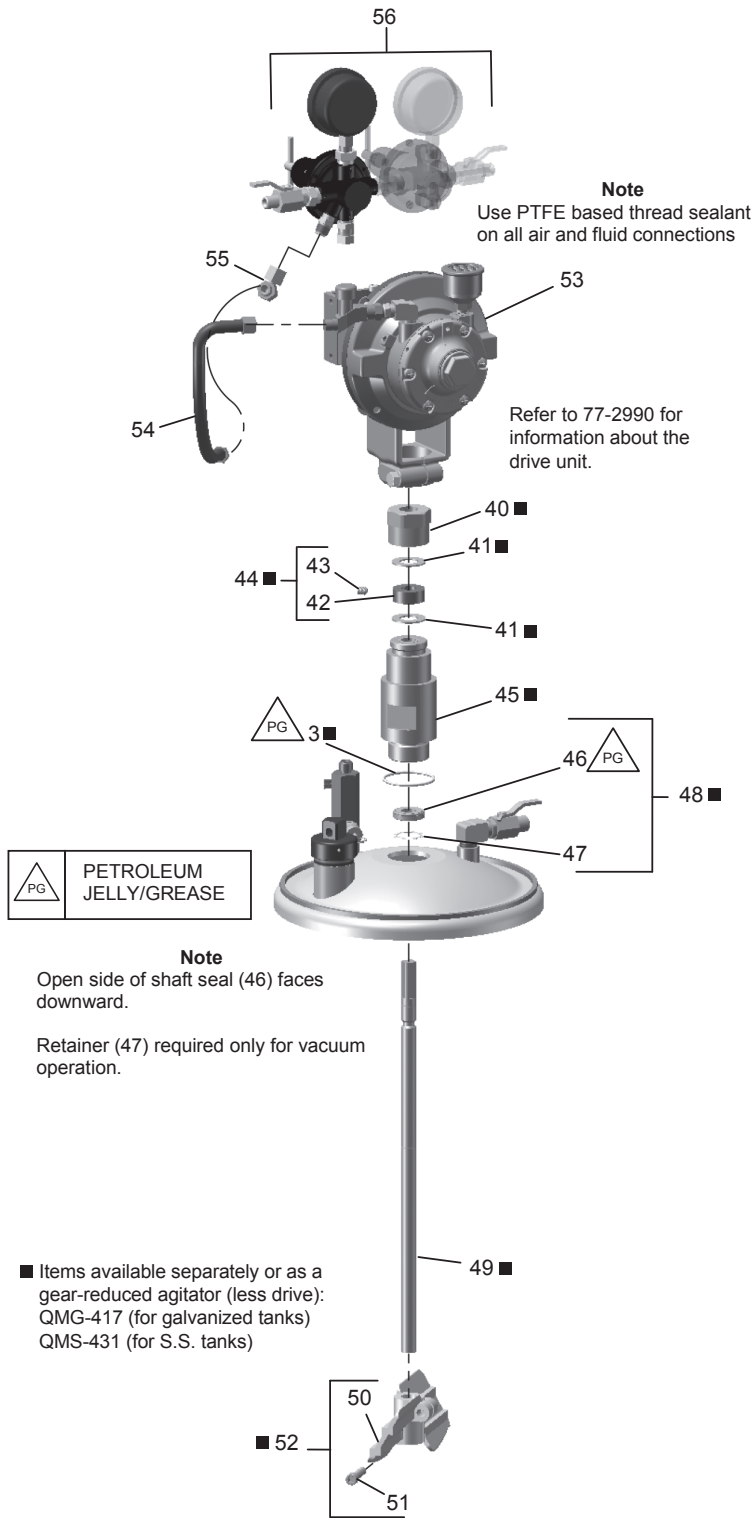


STANDARD REGULATION
1 OR 2 REGULATORS

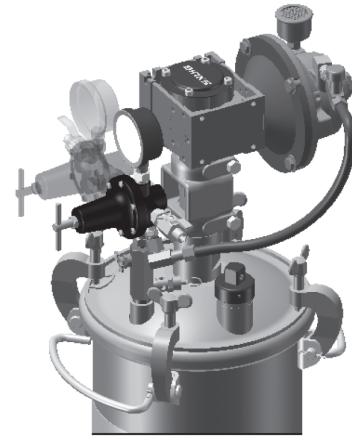


EXTRA SENSITIVE REGULATION
1 OR 2 REGULATORS
Requires 40 PSI Safety Valve

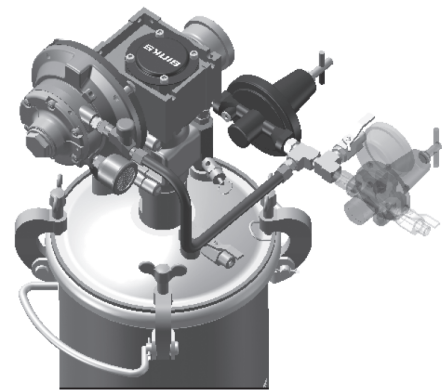
GEAR-REDUCED AGITATOR



GEAR-REDUCED DRIVE AGITATOR-REGULATOR HOOK-UP



STANDARD REGULATION
1 OR 2 REGULATORS



EXTRA SENSITIVE REGULATION
1 OR 2 REGULATORS
Requires 40 PSI Safety Valve

2-GALLON ASME TANKS – AIR CONTROL

SINGLE REGULATOR AIR CONTROL

Control tank pressure only.

85-470 for non-agitated tanks

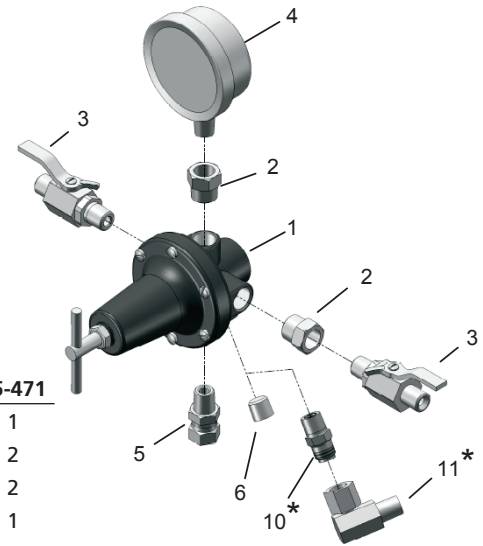
85-471 for agitated tanks

*Items with an asterisk are for use with an agitator.

ITEM NO.	PART NO.	DESCRIPTION	85-470	85-471
1	+	HAR-511 AIR REGULATOR	1	1
2		20-1753-1 BUSHING-STL-PLTD – 3/8 (m) x 1/4 (f)	2	2
3		VA-542 BALL VALVE	2	2
4		83-1290 GAUGE – 150 PSI	1	1
5		SSP-8217-ZN SWIVEL ADAPTER	1	1
6	•	----- 1/4 NPT PLUG (SUPPLIED W/ REGULATOR)	1	—
10		H-2008 NIPPLE 1/4 NPS x 1/4 NPT	—	1
11		SSP-30-ZN SWIVEL ELBOW – 1/4 NPS(m) x 1/4 NPS (sw)	—	1

• Purchase locally

+ Refer to 77-2781 for regulator service parts



DOUBLE REGULATOR AIR CONTROL

Control tank pressure and spray gun atomization pressure.

85-472 for non-agitated tanks

85-473 for agitated tanks

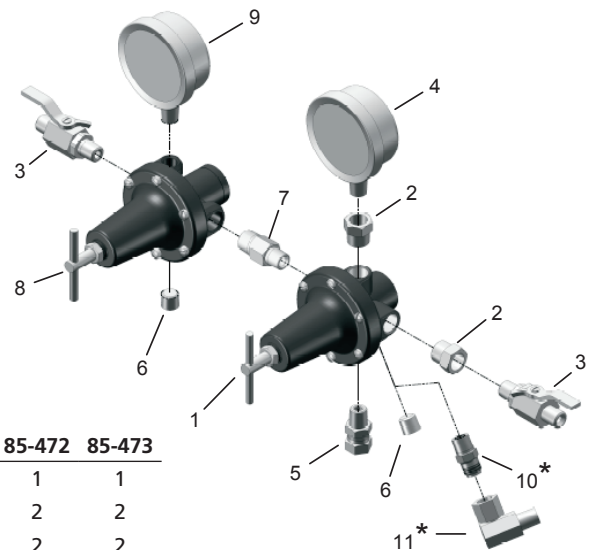
*Items with an asterisk are for use with an agitator.

ITEM NO.	PART NO.	DESCRIPTION	85-472	85-473
1	+	HAR-511 AIR REGULATOR	1	1
2		20-1753-1 BUSHING-STL-PLTD – 3/8 (m) x 1/4 (f)	2	2
3		VA-542 BALL VALVE	2	2
4		83-1290 GAUGE - 150 PSI	1	1
5		SSP-8217-ZN SWIVEL ADAPTER	1	1
6	•	----- 1/4 NPT PLUG (SUPPLIED W/ REGULATOR)	2	1
7		83-4233 D.M. NIPPLE 1/4 x 3/8	1	1
8	#	HAR-507 AIR REGULATOR	1	1
9		83-1355 GAUGE - 100 PSI	1	1
10		H-2008 NIPPLE 1/4 NPS x 1/4 NPT	—	1
11		SSP-30-ZN SWIVEL ELBOW – 1/4 NPS(m) x 1/4 NPS (sw)	—	1

• Purchase locally

+ Refer to 77-2781 for regulator service parts

Refer to SBBI-6-147 for regulator service parts



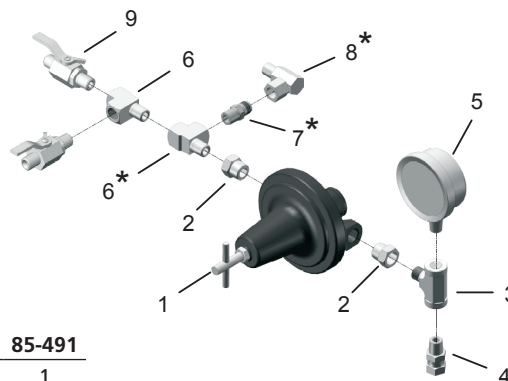
2-GALLON ASME TANKS – EXTRA SENSITIVE AIR CONTROL

EXTRA SENSITIVE REGULATOR AIR CONTROL SINGLE REGULATOR

Provides extremely high precision control of tank pressure (only) from 0 – 30 PSI. Includes 40 PSI Safety Valve (not shown.)

85-490 for non-agitated tanks
85-491 for agitated tanks

*Items with an asterisk are for use with an agitator.



ITEM NO.	PART NO.	DESCRIPTION	85-490	85-491
1	HAR-501	EXTRA-SENSITIVE REGULATOR	1	1
2	20-1753-1	BUSHING-STL-PLTD – 3/8 (m) x 1/4 (f)	2	2
3	SSP-2629-ZN	MALE BRANCH TEE – 1/4NPT	1	1
4	SSP-8217-ZN	SWIVEL ADAPTER	1	1
5	83-1414	GAUGE - 30 PSI	1	1
6	-----	1/4 NPT STREET TEE	1	2
7	H-2008	NIPPLE – 1/4 NPS x 1/4 NPT	—	1
8	SSP-ZN-30	SWIVEL ELBOW – 1/4 NPS(m) x 1/4 NPS (sw)	—	1
9	VA-542	BALL VALVE	2	2
10	TIA-5040	SAFETY VALVE, 40 PSI (NOT SHOWN)	1	1

• Purchase locally

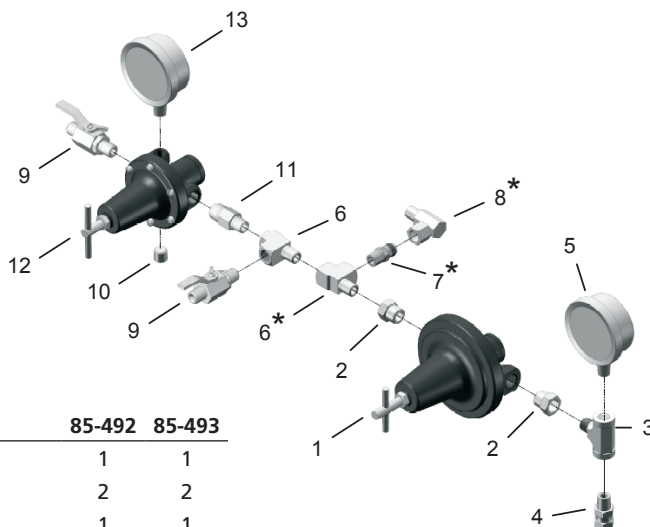
+ Refer to SB-6-131 for regulator service parts

EXTRA SENSITIVE REGULATOR AIR CONTROL DOUBLE REGULATOR

Provides extremely high precision control of tank pressure plus standard regulation for a spray gun. Includes 40 PSI Safety Valve (Not shown.)

85-492 for non-agitated tanks
85-493 for agitated tanks

*Items with an asterisk are for use with an agitator.



ITEM NO.	PART NO.	DESCRIPTION	85-492	85-493
1	HAR-501	EXTRA-SENSITIVE REGULATOR	1	1
2	20-1753-1	BUSHING-STL-PLTD – 3/8 (m) x 1/4 (f)	2	2
3	SSP-2629-ZN	MALE BRANCH TEE – 1/4NPT	1	1
4	SSP-8217-ZN	SWIVEL ADAPTER	1	1
5	83-1414	GAUGE - 30 PSI	1	1
6	-----	1/4 NPT STREET TEE	1	2
7	H-2008	NIPPLE – 1/4 NPS x 1/4 NPT	—	1
8	SSP-ZN-30	SWIVEL ELBOW – 1/4 NPS(m) x 1/4 NPS (sw)	—	1
9	VA-542	BALL VALVE	2	2
10	-----	1/4 NPT PLUG (SUPPLIED W/ REGULATOR)	2	2
11	83-4233	D.M. NIPPLE 1/4 x 3/8	1	1
12	HAR-507	AIR REGULATOR	1	1
13	83-1355	GAUGE – 100 PSI	1	1
14	TIA-5040	SAFETY VALVE, 40 PSI (NOT SHOWN)	1	1

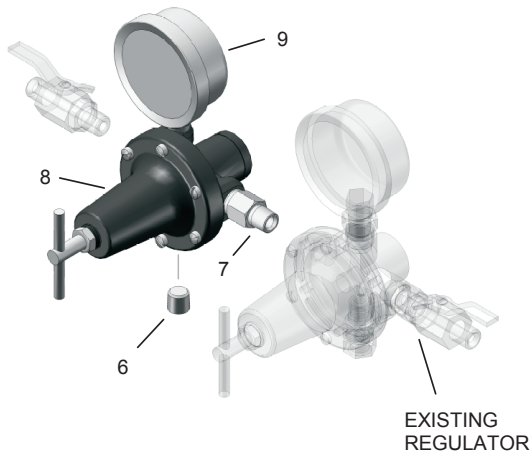
• Purchase locally

+ Refer to SB-6-131 for regulator service parts

Refer to SBBI-6-147 for regulator service parts

85-469 CONVERSION TO DOUBLE REGULATOR ASSEMBLY KIT

Convert standard single regulator or extra-sensitive air control to a double regulator air control.

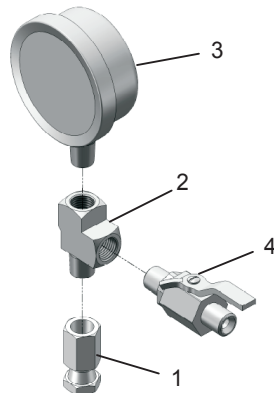


ITEM NO.	PART NO.	DESCRIPTION	QTY.
6	• —	1/4 NPT PLUG (SUPPLIED W/ REGULATOR)	1
7	83-4233	D.M. NIPPLE 1/4 x 3/8	1
8	HAR-507	AIR REGULATOR	1
9	83-1355	GAUGE – 100 PSI	1

•Purchase locally

QMS-4003 NO REGULATION KIT

Use when fluid pressure in tank is regulated by some other, separate, method of control.



ITEM NO.	PART NO.	DESCRIPTION	QTY.
1	• —	ADAPTER, 1/4 NPT(F) X 1/4 NPS (SW)	1
2	• —	STREET TEE	1
3	83-1290	GAUGE, 150 PSI	1
4	VA-542	BALL VALVE	1

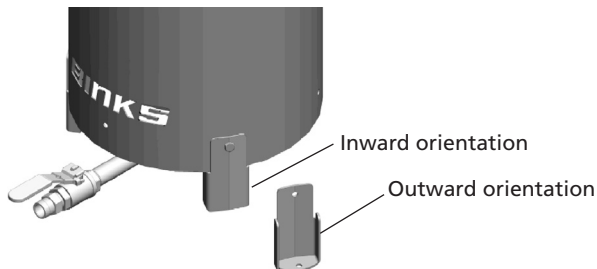
•Purchase locally

BOTTOM OUTLET KIT

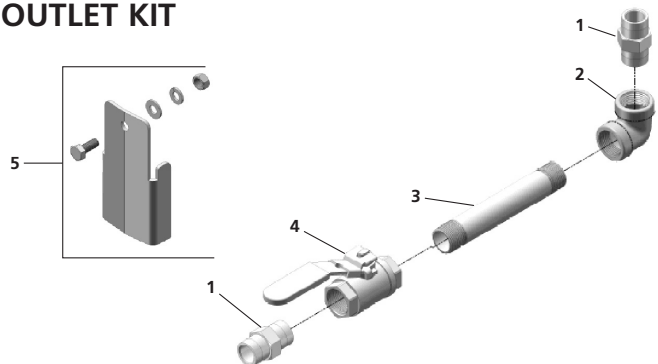
BOTTOM OUTLET KIT WITH LEGS

Allows conversion of tank from standard top outlet to bottom outlet. All bottom outlet wetted parts are stainless steel.

183-3000 for 2-gallon tanks with 3/4" bottom outlets. Includes three 183-3005 Leg Kits.



Legs can be oriented either inward or outward to provide flexibility in mounting.

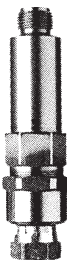


ITEM NO.	PART NO.	DESCRIPTION	QTY.
1	—	ADAPTER, 3/4 NPT-NPS UNIVERSAL	2
2	—	ELBOW, 3/4 NPT (F)	1
3	—	PIPE NIPPLE	1
4	—	BALL VALVE, 3/4 NPT FULL PORT	1
5	183-3005	LEG KIT	3

ACCESSORIES

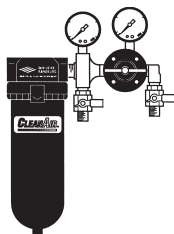
**VS-534
FLUID STRAINER**

Primary fluid strainer that attaches between fluid outlet valve and fluid hose to strain material. Components made of stainless steel with a nylon filter. Comes standard with 100-mesh screen. For more information see SBBI-7-072.



**HFRL-508, HFRL-509
CLEAN AIR™ CONTROL UNITS**

These units are designed to remove dirt, pipe scale and most liquid aerosol. Includes an automatic drain which expels liquids which accumulate in the filter bowl.



**29-3100 SCRUBS®
HAND CLEANER TOWELS**

Scrubs® are a pre-moistened hand cleaner towel for painters. No water is needed.

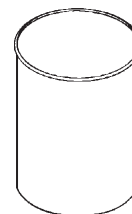


**QMG-35 GALVANIZED BENT FLUID TUBE OR
QMS-53-1 STAINLESS STEEL BENT FLUID TUBE
QMS-79 SHORTER PROFILE AGITATOR PADDLE**

If air bubbles form in material, a shorter paddle and bent fluid tube takes the intake farther away from the agitator.

DISPOSABLE TANK LINERS

Molded polyethylene tank liners reduce solvent waste and tank cleanup time. The liner is made of tough, durable, leakproof poly-ethylene and can be used with all compatible materials.



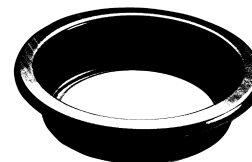
PT-78-K10 Kit of 10 tank liners
PT-78-K60 Kit of 60 tank liners

**PROSPECTOR™ PRESSURE TANK STRAINERS
FOR 2 GALLON TANKS**

Prospector™ strainers are an economical way to remove foreign material from paint, stain, lacquer and coatings.

Inner Diameter8.75" (222.25mm)
Outer Diameter10.625" (269.87mm)
Height/Depth2.625" (66.67mm)
Case Qty 20

- PTS-2Gal-K20-200200 micron
(approx. 65 wire mesh)
- PTS-2Gal-K20-400400 micron
(approx. 37 wire mesh)
- PTS-2Gal-K20-600600 micron
(approx. 28 wire mesh)



NOTES

WARRANTY POLICY

Binks products are covered by Finishing Brands one year materials and workmanship limited warranty. The use of any parts or accessories, from a source other than Finishing Brands, will void all warranties. For specific warranty information please contact the closest Finishing Brands location listed below.

Finishing Brands reserves the right to modify equipment specifications without prior notice. DeVilbiss®, Ransburg®, BGK®, and Binks® are registered trademarks of Carlisle Fluid Technologies, Inc., dba Finishing Brands. ©2015 Carlisle Fluid Technologies, Inc., dba Finishing Brands. All rights reserved.



Binks is part of Finishing Brands, a global leader in innovative spray finishing technologies. For technical assistance or to locate an authorized distributor, contact one of our international sales and customer support locations below.

USA/Canada

www.binks.com
info@carlisleleft.com
Tel: 1-800-992-4657
Fax: 1-888-246-5732

Mexico

www.carlisleleft.com.mx
ventas@carlisleleft.com.mx
Tel: 011 52 55 5321 2300
Fax: 011 52 55 5310 4790

Brazil

www.devilbiss.com.br
vendas@carlisleleft.com.br
Tel: +55 11 5641 2776
Fax: 55 11 5641 1256

United Kingdom

www.finishingbrands.eu
info@carlisleleft.eu
Tel: +44 (0)1202 571 111
Fax: +44 (0)1202 573 488

France

www.finishingbrands.eu
info@carlisleleft.eu
Tel: +33(0)475 75 27 00
Fax: +33(0)475 75 27 59

Germany

www.finishingbrands.eu
info@carlisleleft.eu
Tel: +49 (0) 6074 403 1
Fax: +49 (0) 6074 403 281

China

www.finishingbrands.com.cn
mkt@carlisleleft.com.cn
Tel: +8621-3373 0108
Fax: +8621-3373 0308

Japan

www.ransburg.co.jp
overseas-sales@carlisleleft.co.jp
Tel: 081 45 785 6421
Fax: 081 45 785 6517

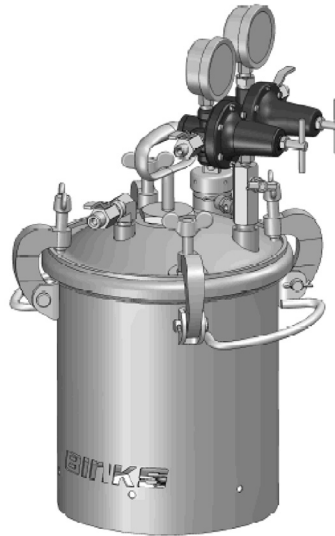
Australia

www.finishingbrands.com.au
sales@carlisleleft.com.au
Tel: +61 (0) 2 8525 7555
Fax: +61 (0) 2 8525 7500





TANQUES ASME DE 2 GALONES 183G (GALVANIZADO) Y 183S (ACERO INOXIDABLE) CAPACIDAD DE HASTA 2.8 GALONES



Importante:
Lea y siga todas las instrucciones y **PRECAUCIONES DE SEGURIDAD** antes de usar este equipo. Guardar para referencia en el futuro.

DESCRIPCIÓN

Los tanques alimentados a presión de Binks están destinados para ser utilizados como un recipiente a presión para suministrar materiales a una presión constante prefijada hasta un máximo de 110 psi. Los tanques son fabricados siguiendo las especificaciones de ASME.

MODELOS GALVANIZADOS DE 2 GALONES

Modelo del tanque	Regulación	Agitación
183G-200	Ninguna	Ninguna
183G-210	Única (aire regulado sólo al tanque)	Ninguna
183G-211	Única (aire regulado sólo al tanque)	Impulsión directa
183G-213	Única (aire regulado sólo al tanque)	Engranaje reducido (reforzado)
183G-220	Doble (aire regulado al tanque y la pistola)	Ninguna
183G-221	Doble (aire regulado al tanque y la pistola)	Impulsión directa
183G-223	Doble (aire regulado al tanque y la pistola)	Engranaje reducido (reforzado)
183G-230	Extra sensible	Ninguna
183G-231	Extra sensible	Impulsión directa
183G-233	Extra sensible	Engranaje reducido (reforzado)
183G-240	Extra sensible c/regulación de pistola	Ninguna
183G-241	Extra sensible c/regulación de pistola	Impulsión directa
183G-243	Extra sensible c/regulación de pistola	Engranaje reducido (reforzado)

MODELOS DE ACERO INOXIDABLE DE 2 GALONES

Modelo del tanque	Regulación	Agitación
183S-200	Ninguna	Ninguna
183S-210	Única (aire regulado sólo al tanque)	Ninguna
183S-211	Única (aire regulado sólo al tanque)	Impulsión directa
183S-213	Única (aire regulado sólo al tanque)	Engranaje reducido (reforzado)
183S-220	Doble (aire regulado al tanque y la pistola)	Ninguna
183S-221	Doble (aire regulado al tanque y la pistola)	Impulsión directa
183S-223	Doble (aire regulado al tanque y la pistola)	Engranaje reducido (reforzado)
183S-230	Extra sensible	Ninguna
183S-231	Extra sensible	Impulsión directa
183S-233	Extra sensible	Engranaje reducido (reforzado)
183S-240	Extra sensible c/regulación de pistola	Ninguna
183S-241	Extra sensible c/regulación de pistola	Impulsión directa
183S-243	Extra sensible c/regulación de pistola	Engranaje reducido (reforzado)






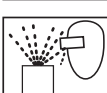




En esta Hoja de piezas, las palabras, **ADVERTENCIA**, **PRECAUCIÓN** y **NOTA** se emplean para enfatizar información de seguridad importante de la manera siguiente:

⚠ ADVERTENCIA	⚠ PRECAUCIÓN	NOTA
Prácticas peligrosas o inseguras que pueden ocasionar lesiones personales graves, la muerte o daño substancial a la propiedad.	Prácticas peligrosas o inseguras que pueden ocasionar lesiones personales leves, la muerte, daño al producto o a la propiedad.	Información importante de instalación, operación o mantenimiento.

⚠ ADVERTENCIA

Lea las siguientes advertencias antes de usar este equipo.

-  **LEA EL MANUAL**
Antes de operar los equipos de acabado, lea y comprenda toda la información de seguridad, operación y mantenimiento incluida en el manual de operaciones.
-  **CAPACITACIÓN DE LOS OPERADORES**
Todos los miembros del personal deben ser capacitados antes de operar los equipos de acabado.
-  **PELIGRO DE USO INDEBIDO DEL EQUIPO**
El uso indebido del equipo puede ocasionar averías, mal funcionamiento o activación imprevista lo que a su vez puede producir lesiones graves.
-  **DESACTIVE, DESPRESURICE, DESCONECTE Y BLOQUEE TODAS LAS FUENTES DE ENERGÍA DURANTE EL MANTENIMIENTO**
No desactivar, desconectar ni bloquear todas las fuentes de suministro de energía antes de realizar operaciones de mantenimiento en los equipos puede ocasionar lesiones graves o la muerte.
-  **CONSIDERACIONES DE ALTA PRESIÓN**
La alta presión puede ocasionar lesiones graves. Antes de reparar o dar mantenimiento a los equipos, libere toda la presión. El atomizado de la pistola pulverizadora, las filtraciones de la manguera o componentes averiados pueden inyectar fluido en su organismo y ocasionar lesiones sumamente graves.
-  **PROCEDIMIENTO DE LIBERACIÓN DE PRESIÓN**
Siga siempre el procedimiento de liberación de presión que aparece en el manual de instrucciones del equipo.
-  **MANTENGA LAS DEFENSAS DEL EQUIPO EN SU LUGAR**
No operar los equipos si los dispositivos de seguridad fueron retirados.
-  **EQUIPOS AUTOMÁTICOS**
Los equipos automáticos pueden activarse súbitamente sin advertencia.
-  **INSPECCIONE LOS EQUIPOS DIARIAMENTE**
Inspeccione diariamente los equipos para verificar que no tengan piezas gastadas o rotas. No opere los equipos si no está seguro de esta condición.
-  **NUNCA MODIFIQUE LOS EQUIPOS**
No modifique el equipo sin la autorización escrita del fabricante.
-  **SEPA CÓMO Y DÓNDE DESACTIVAR LOS EQUIPOS EN CASO DE EMERGENCIA.**
-  **CARGA ESTÁTICA**
Los fluidos pueden generar una carga estática que debe ser disipada mediante la debida conexión a tierra del equipo, los objetos que van a ser atomizados y todos los demás objetos electroconductores en el área de aplicación. La conexión a tierra indebida o las chispas pueden ocasionar condiciones de peligro y producir incendios, explosiones o descargas eléctricas y otras lesiones graves.
-  **USE GAFAS PROTECTORAS**
No usar gafas protectoras con resguardos laterales puede ocasionar lesiones graves en los ojos o ceguera.






-  **CONSIGA ATENCIÓN MÉDICA INMEDIATA**
Para evitar el contacto con el fluido, tenga en cuenta lo siguiente:
 - a) Nunca apunte la pistola/válvula hacia ninguna persona ni hacia ninguna parte del cuerpo.
 - b) Nunca ponga la mano ni los dedos sobre la punta pulverizadora.
 - c) Nunca trate de detener ni desviar los escapes de fluido con la mano, el cuerpo, guantes o trapos.
 - d) Antes de atomizar, tenga siempre el resguardo de la punta puesto en la pistola pulverizadora.
 - e) Antes de atomizar, asegúrese siempre de que el seguro del disparador de la pistola esté operativo.
 - f) Cuando deje de atomizar, póngale siempre el seguro al disparador de la pistola.
-  **ALERTA MÉDICA**
Cualquier lesión ocasionada por líquido de alta presión puede ser grave. Si sufre una lesión o sospecha haber sufrido una:
 - a) Vaya a una sala de emergencia de inmediato.
 - b) Informe al médico que sospecha haber sufrido una lesión por inyección.
 - c) Muestre al médico esta información médica o la tarjeta de alerta médica provista con su equipo de pulverización sin aire.
 - d) Informe al médico acerca del tipo de fluido que estaba pulverizando o aplicando.
 - e) Consulte la información específica en la Hoja de datos de seguridad.
-  **USE UN RESPIRADOR**
La inhalación de vapores tóxicos puede ocasionar lesiones graves o la muerte. Use un respirador como lo recomienda la Hoja de datos de seguridad del fabricante de fluido y el solvente.
-  **FLUIDOS Y VAPORES TÓXICOS**
Los fluidos peligrosos o los vapores tóxicos pueden ocasionar lesiones graves o la muerte si se salpican a los ojos o la piel, se inhalan, se inyectan o ingieren APRENDA y CONOZCA los peligros específicos de los fluidos que está utilizando.
-  **PELIGRO DE INCENDIO Y EXPLOSIÓN**
La conexión a tierra indebida de los equipos, la ventilación insuficiente, la llama abierta o las chispas pueden ocasionar condiciones de peligro y producir incendios, explosiones y otras lesiones graves.
-  **PELIGRO DE PROYECTILES**
Usted puede resultar lesionado por dar salida a líquidos o gases liberados bajo presión o por restos voladores.
-  **DESCARGA ELÉCTRICA/CONEXIÓN A TIERRA**
La conexión a tierra indebida o las chispas pueden ocasionar condiciones de peligro y producir incendios, explosiones o descargas eléctricas y otras lesiones graves.
-  **PELIGRO DE PUNTOS DE PRESIÓN**
Las partes móviles pueden aplastar y ocasionar cortaduras. Los puntos de presión son básicamente todas las áreas donde haya partes móviles.
-  **PELIGRO DE RUIDO**
Usted puede resultar lesionado por el ruido muy fuerte. Podría necesitar protección de los oídos al usar este equipo.
-  **ADVERTENCIA PROP 65**
ADVERTENCIA: Este producto contiene sustancias químicas que según información en poder del estado de California producen cáncer, defectos de nacimiento y otros daños al sistema reproductor.

ES RESPONSABILIDAD DEL EMPLEADOR SUMINISTRAR ESTA INFORMACIÓN AL OPERADOR DEL EQUIPO.

PARA MÁS INFORMACIÓN DE SEGURIDAD ACERCA DE LOS EQUIPOS BINKS Y DEVILBISS, CONSULTE EL FOLLETO DE SEGURIDAD GENERAL DE LOS EQUIPOS (77-5300).

TANQUES ASME DE 2 GALONES – MEDIDAS PREVENTIVAS

Durante el uso normal de este equipo pueden ocurrir las siguientes situaciones de peligro. Sírvase leer la siguiente tabla.

PELIGRO	CAUSA	MEDIDAS PREVENTIVAS
Incendio 	Los solventes y recubrimientos pueden ser altamente inflamables o combustibles, especialmente cuando se atomizan.	<ol style="list-style-type: none"> 1. Debe proveerse de un escape adecuado para mantener el aire libre de acumulaciones de vapores inflamables. 2. Nunca debe permitirse fumar en el área donde se atomiza. 3. En el área donde se atomiza debe haber equipo extintor de incendios.
Incendio – Tanque a presión 	Los vapores provenientes de líquidos inflamables pueden prender fuego o explotar.	Mantenga el tanque al menos a 10 pies de distancia de las fuentes de ignición. Las fuentes de ignición incluyen objetos calientes, chispas mecánicas y equipos eléctricos con formación de arcos (no a prueba de explosiones).
Peligro de explosión – Tanque a presión – Electricidad estática 	La electricidad estática se crea por el flujo de fluido a través del tanque a presión y la manguera. Si todas las piezas no tienen la debida conexión a tierra, podrían producirse chispas. Las chispas pueden encender los vapores de los solventes y el fluido que está siendo atomizado.	<ol style="list-style-type: none"> 1. Haga la conexión a tierra del tanque a presión acoplado un extremo del cable de tierra calibre 12 (mínimo) al tanque a presión y el otro extremo a una conexión a tierra efectiva. Los códigos locales pueden tener requisitos de conexión a tierra adicionales. 2. Ver en la ilustración de la página 6 los requisitos de conexión a tierra y los accesorios de conexión a tierra requeridos.
Peligro de explosión – Tanque a presión – Ruptura 	Hacer cambios a un tanque a presión lo debilitará.	<ol style="list-style-type: none"> 1. Nunca perforo, solde o modifique de ninguna manera el tanque. 2. No ajuste, quite o manipule indebidamente la válvula de seguridad. Si fuese necesario reemplazar, use una válvula del mismo tipo y con la misma clasificación.
Peligro de explosión – Tanques galvanizados – Compatibilidad del material 	Los solventes con hidrocarburos halogenados –por ejemplo 1-1-1 tricloroetano y cloruro de metileno– pueden reaccionar químicamente con las piezas y componentes de aluminio y ocasionar peligro de explosión. Estos solventes también corroen el recubrimiento del tanque galvanizado.	<ol style="list-style-type: none"> 1. Lea la etiqueta y la hoja de información del material. No use materiales que contengan estos solventes con tanques a presión galvanizados. Se pueden usar modelos de tanques de acero inoxidable con solventes halogenados. 2. Consulte la tabla de especificaciones para asegurarse de que los fluidos sean químicamente compatibles con las partes mojadas del tanque. Antes de introducir fluidos o solventes en el tanque, lea siempre los materiales impresos del fabricante adjuntos.
Seguridad en general	La operación o mantenimiento indebidos pueden crear un peligro.	Los operadores deben recibir la capacitación adecuada en el uso y mantenimientos sin riesgos (de acuerdo con los requisitos de NFPA-33, Capítulo 15 en EEUU) del equipo. Los usuarios deben cumplir con todos los códigos locales y nacionales que rigen la ventilación, las precauciones contra incendios, la operación, el mantenimiento y la limpieza (en EEUU, estas son las secciones 1910.94 y 1910.107 de OSHA y NFPA-33.

<p>⚠ ADVERTENCIA</p> <p>La alta presión puede ocasionar lesiones graves.</p> <p>La presión se mantiene en un tanque a presión después de haber apagado el sistema.</p> <p>Siga siempre este procedimiento para liberar la presión del tanque.</p>	<p>PROCEDIMIENTO DE LIBERACIÓN DE PRESIÓN</p> <p>Para reducir el riesgo de sufrir una lesión, siga el procedimiento de liberación de presión a continuación</p> <ul style="list-style-type: none"> • Antes de revisar o reparar o dar mantenimiento a cualquier parte del sistema de pulverización • Antes de intentar quitar el sombrerete del puerto de llenado o la cubierta del tanque • Siempre que el tanque se deje desatendido <ol style="list-style-type: none"> 1. Interrumpir el suministro de aire principal al tanque. 2. Cerrar la válvula de entrada de aire ubicada en el colector de aire del tanque. 3. Purgar el aire del tanque haciendo girar el tornillo de mariposa de la válvula de liberación de aire (5) en sentido antihorario. Esperar hasta que todo el aire haya salido por la válvula antes de quitar la cubierta del tanque a presión o el sombrerete del puerto de llenado. 4. Dejar abierta la válvula de liberación de aire hasta haber reinstalado la cubierta del tanque o el sombrerete del puerto de llenado.
--	--

TANQUES ASME DE 2 GALONES – ESPECIFICACIONES Y OPCIONES

ESPECIFICACIONES		
	TANQUES GALVANIZADOS	TANQUES DE ACERO INOXIDABLE
Presión máxima de trabajo	110 psi	110 psi
Casco del tanque	Acero SA-414, galvanizado (Zinc)	Acero inoxidable 304
Tapa del tanque	Acero SA-414, galvanizado (Zinc)	Acero inoxidable 304
Tubo de fluidos	Tubo de acero, galvanizado 3/8 pulg.	Tubo de Al, acero inoxidable 316 3/8 pulg.
Salida de fluido (codo)	Acero, enchapado en zinc	Acero inoxidable 316
Válvula de fluido, salida	Latón, niquelado 3/8-18 NPS(M)	Acero inoxidable 316, 3/8-18 NPS(M)
Paleta del agitador/Propulsor	Nylon, con refuerzo interior de fibra de vidrio	Nylon, con refuerzo interior de fibra de vidrio
Eje del agitador	Acero, enchapado en zinc	Acero inoxidable 303
Obturador del eje del agitador	PTFE tecnificado, acero inoxidable	PTFE tecnificado, acero inoxidable
Colector de aire	Acero, enchapado en zinc	Acero, enchapado en zinc
Tapón (Acoplamiento del colector de aire)	Acero, enchapado en zinc	Acero inoxidable 18-8
Salida inferior (kit opcional)	Acero inoxidable 304, 3/4-14 NPS(M)	Acero inoxidable 304, 3/4-14 NPS(M)

OPCIONES PARA CONTROL DE AIRE	
TIPO	APLICACIÓN
Sin regulación (sólo manómetro de entrada de aire)	Tanques de retención, tanques de transferencia, usado dónde no se requiera de control de precisión de la presión de fluido.
Regulación única estándar	Proporciona control de presión de fluido estándar solamente. Para uso donde no se requiera control de precisión tanto de fluido como de la presión de aire. También usado donde el aire de atomización se pueda tomar de las líneas de aire del filtro/regulador.
Regulación doble estándar	Control de precisión para uso con materiales que se aplican mejor a presiones de fluido y aire de atomización bajas, estrechamente controladas. Usado con compresores de aire portátiles o con líneas de aire cuando no esté disponible ningún otro medio de regulación de la presión de aire.
Regulación extra sensible	Proporciona un control sumamente preciso de presión baja, presión de fluido
Regulación extra sensible con regulación de pistola estándar	Proporciona un control sumamente exacto de presión baja, presión de fluido además de control de precisión del aire de atomización de la pistola pulverizadora.

OPCIONES DE AGITACIÓN	
TIPO	APLICACIÓN
Sin agitación	Materiales que requieran mezcla mínima o ninguna mezcla y/o mantienen de inmediato cualquier sólido en suspenso.
Agitación con impulsión directa	Materiales con viscosidad de baja a mediana que requieran de mezcla y/o suspensión de sólidos.
Agitación con impulsión de engranaje reducido	Agitador resistente para materiales con viscosidad de mediana a alta que requieran de mezcla y/o suspensión de sólidos.

TANQUES ASME DE 2 GALONES – OPERACIÓN Y REVISIONES DE SERVICIO

⚠ ADVERTENCIA

La alta presión puede ocasionar lesiones graves.

La presión se mantiene en un tanque a presión después de haber apagado el sistema.

Siga el procedimiento de liberación de presión en la página 3 antes de abrir la tapa o el puerto de llenado o realizar labores de mantenimiento en el tanque.

PREPARACIÓN

Mezcle y prepare el material que va a usar siguiendo las instrucciones del fabricante. Filtre el material a través de un tamiz de malla fina para eliminar grumos, piel y materias foráneas que puedan penetrar y obstruir los conductos de fluido y/o el equipo de pulverización.

Siga el proceso de liberación de presión que antecede.

Para agregar material al tanque, quite la tapa y vierta el material directamente en el tanque o contenedor.

Si lo desea, se puede colocar directamente sobre el tanque, un balde de 1 galón de fluido en sistema estadounidense o métrico.

Vuelva a colocar el conjunto de la tapa y apriete los tornillos de mariposa (17) con firmeza.

El suministro de aire al tanque debe incluir un separador de agua/filtro para filtrar la suciedad del aire y eliminar el agua y el aceite.

Conecte la manguera del material a la válvula esférica de salida de fluido (8).

OPERACIÓN

1. Cierre la válvula de entrada de aire al tanque. Haga girar el mango del regulador en sentido antihorario hasta que se libere la tensión del resorte.
2. Abra el suministro de aire al tanque.
3. Abra la válvula de entrada de aire al tanque.
4. Abra la válvula de salida de fluido.
5. Haga girar el mango del regulador de la presión del tanque en sentido horario para presurizar el tanque.
6. Active el aire de atomización hacia la pistola pulverizadora en la fuente del suministro.
7. Pruebe el pulverizador. Para más instrucciones, consulte los materiales impresos provistos con la pistola pulverizadora.
8. Si se utiliza un agitador accionado por motor de aire, ponga en marcha el agitador abriendo lentamente la válvula de aguja. La velocidad del motor de aire se debe regular según la naturaleza del material que se está agitando.
4. Afloje los tornillos de mariposa (17), la parte posterior de la abrazadera de la punta (16) y la tapa de la punta (11) a un lado del tanque. No quite la tapa del tanque.
5. Afloje el anillo de retención de la tapa de aire de la pistola pulverizadora dando unas tres vueltas.
6. Active el suministro de aire.
7. Coloque un paño sobre la tapa de aire en la pistola y accione el disparador. Esto hará que el material retorne a través de la manguera hacia el tanque.
8. Vacíe y limpie el tanque y las piezas que tienen contacto con el material. Use un solvente compatible con el material que se está usando.
9. Vierta el solvente en el tanque.
10. Vuelva a colocar la tapa y apriete los tornillos de mariposa y las abrazaderas.
11. Atomicé hasta que aparezca el solvente limpio.
12. Repita los pasos del 4 al 8.

MANTENIMIENTO

Para limpiar el equipo, proceda de la siguiente manera:

1. Interrumpa el suministro de aire.
2. Siga el procedimiento de liberación de presión.
3. Haga girar el tornillo de ajuste del mango en "T" en el regulador de presión de fluido del tanque en sentido antihorario hasta que no se sienta presión del resorte.

LUBRICACIÓN – Modelos con agitación

Consulte la información sobre lubricación en el manual de servicio provisto con el motor de aire.

Los cojinetes en el conjunto de cojinetes del agitador están impregnados con aceite especial no gomoso. No se necesita lubricación adicional.

El obturador del eje del agitador no requiere de lubricación.

REVISIONES DE SERVICIO

CONDICIÓN	CAUSA	CORRECCIÓN
Escape de aire del puerto en la tapa del regulador.	Diafragma roto o dañado	Reemplazar el diafragma.
Corrimiento de presión registrado en el manómetro.	Asiento de válvula sucio o gastado en el regulador.	Limpiar o reemplazar el asiento de la válvula.
El material tiende a desprenderse rápidamente.	Material sin agitación suficiente.	Aumentar la agitación.
Escape de aire en el obturador del agitador.	Conjunto del obturador defectuoso.	Reemplazar.
Esparcimiento de la pintura al conjunto de cojinete del agitador.	1. Nivel de pintura muy alto en el tanque. 2. Obturador del eje del agitador defectuoso.	1. Mantener el nivel de fluido debajo del conjunto de cojinete. 2. Reemplazar.
Escape de fluido o aire en el empaque de la tapa.	1. Tornillo de mariposa no apretado. 2. Empaque de la tapa defectuoso.	1. Apretar. 2. Reemplazar.
Escape de fluido o aire en el empaque del puerto de llenado.	1. Sombbrero del puerto de llenado no apretado. 2. Empaque del puerto de llenado defectuoso.	1. Apretar. 2. Reemplazar.
Aire mezclado con pintura	1. Tubo de fluidos no sellado a la tapa. 2. Agitación excesiva.	1. Apretar el tubo de fluidos en la tapa. 2. Reducir la velocidad del agitador.

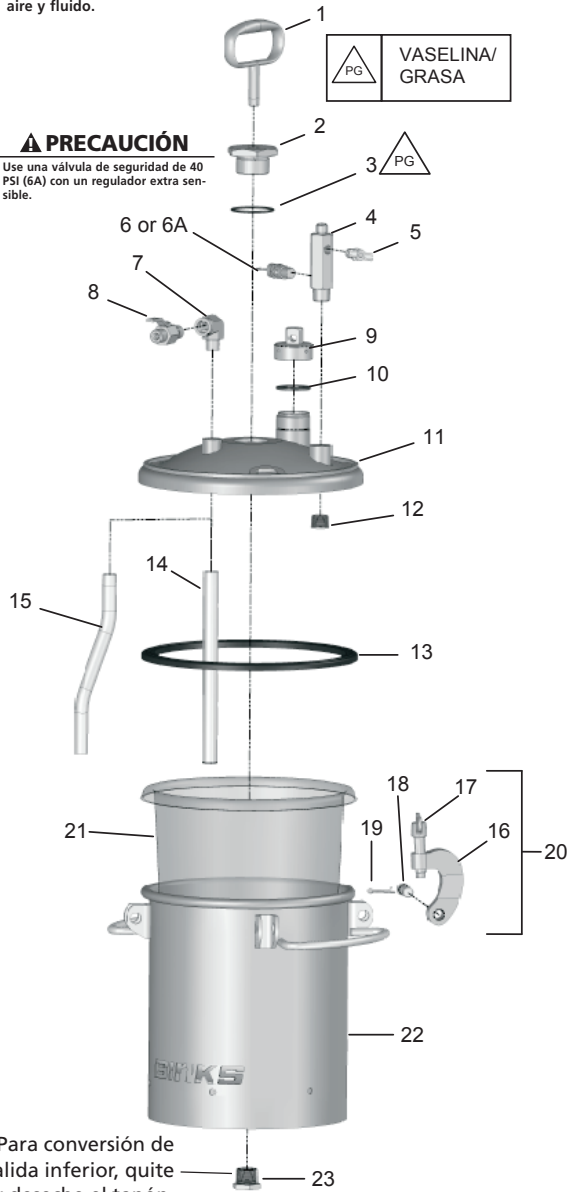
CONJUNTOS DE TANQUE GALVANIZADO Y DE ACERO INOXIDABLE DE 2 GALONES

NOTA

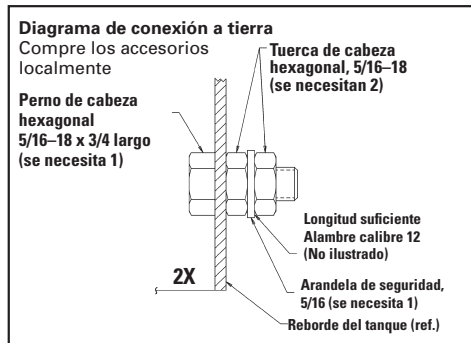
Use sellador de rosca con base de PTFE en todas las conexiones de aire y fluido.

PRECAUCIÓN

Use una válvula de seguridad de 40 PSI (6A) con un regulador extra sensible.



Para conversión de salida inferior, quite y deseche el tapón.



ART. NO.	TANQUE GALV. PIEZA NO.	TANQUE A.I. PIEZA NO.	DESCRIPCIÓN	CANT.
1	▲ QN-97	QN-97	ASA	1
2	QMG-17	QMS-2	TAPÓN (SÓLO MODELOS SIN AGITACIÓN)	1
3	▲ SSG-8184-K2	SSG-8184-K2	JUNTA TÓRICA (KIT de 2)	1
4	QMG-21	QMG-21	COLECTOR DE AIRE	1
5	SS-2707	SS-2707	VÁLVULA DE LIBERACIÓN DE AIRE, 1/4 NPT-M	1
6	TIA-5110	TIA-5110	CONJ. DE VÁLVULA DE SEGURIDAD, 110 PSI	1
6A	TIA-5040	TIA-5040	CONJ. DE VÁLVULA DE SEGURIDAD, 40 PSI (SÓLO EXTRA SENSIBLE)	1
7	• ---- (Latón)	SSP-1939 (A.I.)	CODO MACHO Y HEMBRA (3/8-18)	1
8	VA-540	VA-527	VÁLVULA ESFÉRICA, SALIDA 3/8 NPS	1
9	83-524-K	83-524-K	SOMBRERETE DEL PUERTO DE LLENADO (INCL. ART. 10)	1
10	83-1207-K5	83-1207-K5	EMPAQUE DEL SOMBRERETE DEL PUERTO DE LLENADO (PAQ. CANT.)	1
11	QMG-400-1	QMS-416-1	TAPA DEL TANQUE	1
12	SSP-1439-ZN	20-6858	TAPÓN (1/2-14)	1
13	QMS-80-1	QMS-80-1	EMPAQUE DEL TANQUE DE 2 GAL.	1
14	PT-31	QMS-9-1	TUBO DE FLUIDOS (AGIT. IMP. DIR.)	1
15	QMG-35	QMS-53-1	TUBO DE FLUIDOS (AGIT. ENGRAN. REDUCIDO)	1
16	----	----	ABRAZADERA (VER ART. 20)	4
17	QMG-46	QMG-46	TORNILLO DE MARIPOSA (VER ART. 20)	4
18	----	----	PASADOR DE HORQUILLA (VER ART. 20)	4
19	----	----	CHAVETA, 1/8 DIÁ. X 1" LARGO (VER ART. 20)	4
20	+ KK-5013	KK-5013	KIT DE ABRAZADERA, CLAVIJA Y TORNILLO (INCL. 16, 17, 18 y 19)	4
21	PT-78-K10, K60	PT-78-K10, K60	REVESTIMIENTO INTERIOR DESECHABLE DE TANQUE (10 ó 60 c/u)	1
22	QMG-502-1	QMS-502-1	CONJ. DE TANQUE Y OREJETA	1
23	----	----	TAPÓN INFERIOR	1
24	▲ QMG-429	QMS-428	CONJ. DE MOTOR DE AIRE	1
25	▲ HAV-500-B	HAV-500-B	VÁLVULA DE AJUSTE DE AIRE	1
26	▲ H-2008	H-2008	BOQUILLA, 1/4 NPS x 1/4 NPT	2
27	▲ • ----	----	CODO MACHO Y HEMBRA (1/4-18 NPT, LATÓN)	2
28	▲ ----	----	TORNILLO PRISIONERO (1/4-20 X 1/4)	2
29	▲ # ----	----	ADAPTADOR (VER ART. 30)	1
30	▲ KK-4990	KK-4991	KIT DE RETENEDORES DEL OBTURADOR (INCL. 28, 29, 34, 35)	1
31	▲ ----	----	OBTURADOR DEL EJE, D.I. 1/2 (AGIT. IMP. DIR.)	1
32	▲ ----	----	ANILLO DE RETENCIÓN INTERNO (AGIT. IMP. DIR.)	1
33	▲ KK-5041	KK-5041	KIT DE OBTURADORES DEL EJE (AGIT. IMP. DIR.)	1
34	▲ • ----	----	TORNILLO PRISIONERO (1/4-20 X 1/4) A.I.	2
35	▲ # ----	----	ACOPAMIENTO DEL EJE (VER ART. 30)	1
36	▲ QMG-56	QMS-73	EJE DEL AGITADOR	1
37	▲ • ----	----	TORNILLO PRISIONERO DE CABEZA CUADRADA (1/4-20 X 3/8) A.I.	1
38	▲ ----	----	PROPULSOR	1
39	▲ QMS-448	QMS-448	KIT DE PROPULSORES DEL AGITADOR (IMPULSIÓN DIR.)	1
40	■ QMS-46	QMS-46	TUERCA DE RETENCIÓN	1
41	■ KK-5049	KK-5049	ARANDELA DE EMPUJE (KIT DE 2, c/u)	1
42	■ ----	----	COLLAR DE EMPUJE	1
43	■ • ----	----	TORNILLO PRISIONERO, 5/16-18 X 3/8	1
44	■ QMS-447	QMS-447	KIT DEL COLLAR DE EMPUJE (INCL. 42 y 43)	1
45	■ QMG-409	QMS-407	CONJ. DE COJINETE	1
46	■ ----	----	OBTURADOR DEL EJE, D.I. 5/8 (AGIT. ENGRAN. REDUCIDO)	1
47	■ ----	----	ANILLO DE RETENCIÓN INTERNO (AGIT. ENGRAN. REDUCIDO)	1
48	■ KK-5042	KK-5042	KIT DE OBTURADORES DEL EJE (AGIT. ENGRAN. REDUCIDO)	1
49	■ QMG-15	QMS-5	EJE DEL AGITADOR	1
50	■ ----	----	PALETA DEL AGITADOR	1
51	■ ----	----	TORNILLO DE CABEZA ENCASTRADA, 5/16-18 X 1-1/4, A.I.	1
52	■ QMS-449	QMS-449	KIT DE PALETAS DEL AGITADOR (INCL. 51 y 52)	1
53	QS-5012-1	QS-5012-1	MOTOR DE AIRE/UNIDAD DE LA CAJA DE ENGRANAJES	1
54	▲ HA-57011	HA-57011	CONJ. DE MANGUERA NEUMÁTICA	1
55	SSP-30-ZN	SSP-30-ZN	PIEZA ACODADA GIRATORIA	1
56	*** VER PÁG. 9 y 10 ***	----	CONTROL DE AIRE	1
57	• ----	----	TAPÓN, 3/8 NPT, AI (NO ILUSTRADO) PARA USAR SÓLO CON EL KIT DE SALIDA INFERIOR. REEMPLAZA LOS ART. 7 y 8. SE VENDE LOCALMENTE.	1

• Se vende localmente.

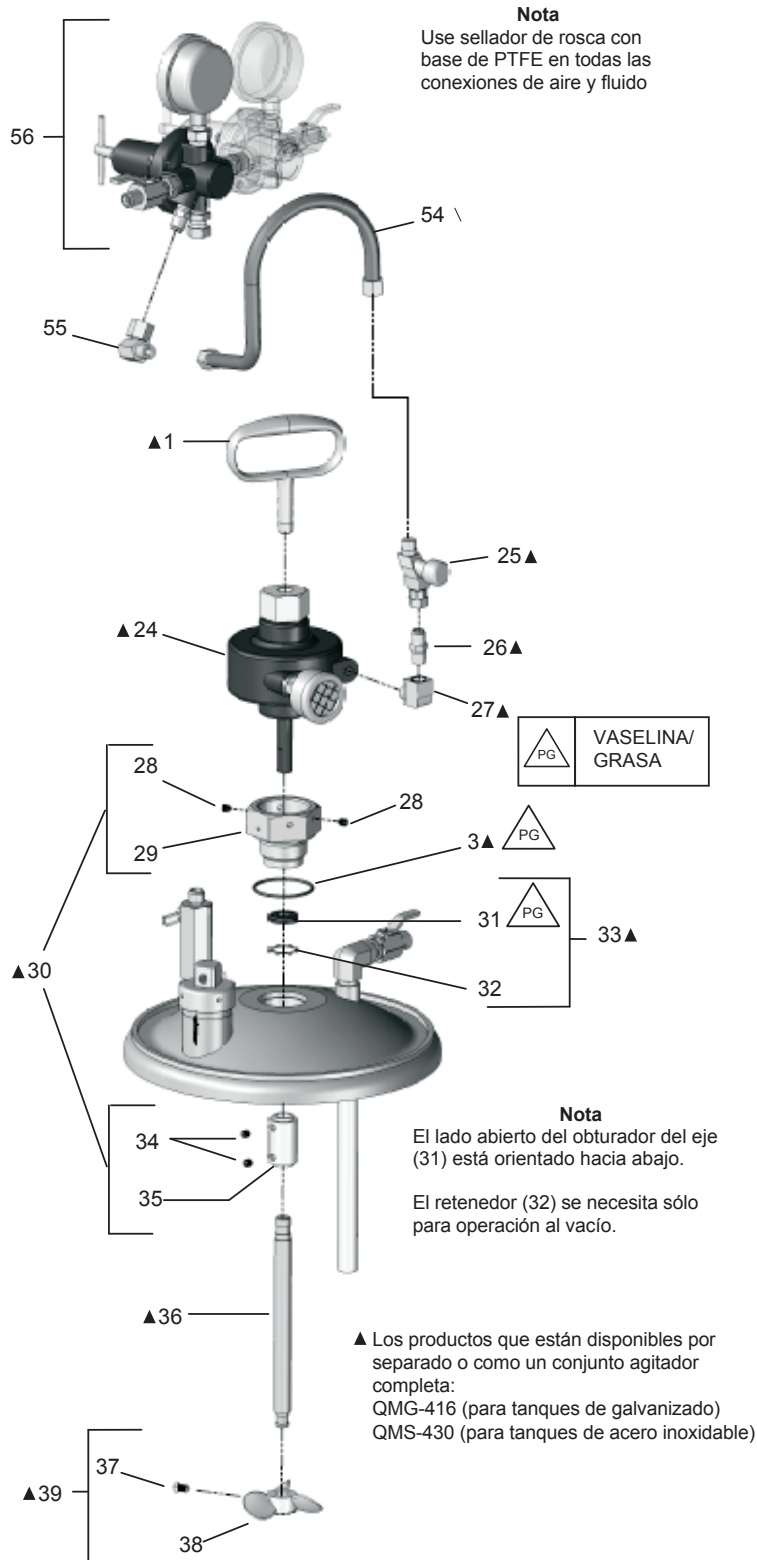
+ KK-5013 Kit de abrazadera, chaveta y tornillo incluye 1 de c/u de los art. 16, 17, 18 y 19.

Al reemplazar el art. 29 ó 35, usted debe pedir KK-4990 (galvanizado) o KK-4991 (acero inoxidable) que incluye ambas piezas.

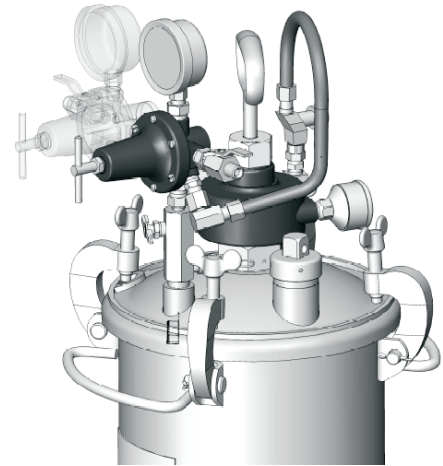
▲ Los productos que están disponibles por separado o como un conjunto agitador completa: QMG-416 (para tanques de galvanizado) QMS-430 (para tanques de acero inoxidable)

■ Los productos que están disponibles por separado o como un agitador engranaje reducido (sin actuador): QMG-417 (para tanques de galvanizado) QMS-431 (para tanques de acero inoxidable)

AGITADOR CON IMPULSIÓN DIRECTA



AGITADOR CON IMPULSIÓN DIRECTA-ENGANCHE DEL REGULADOR

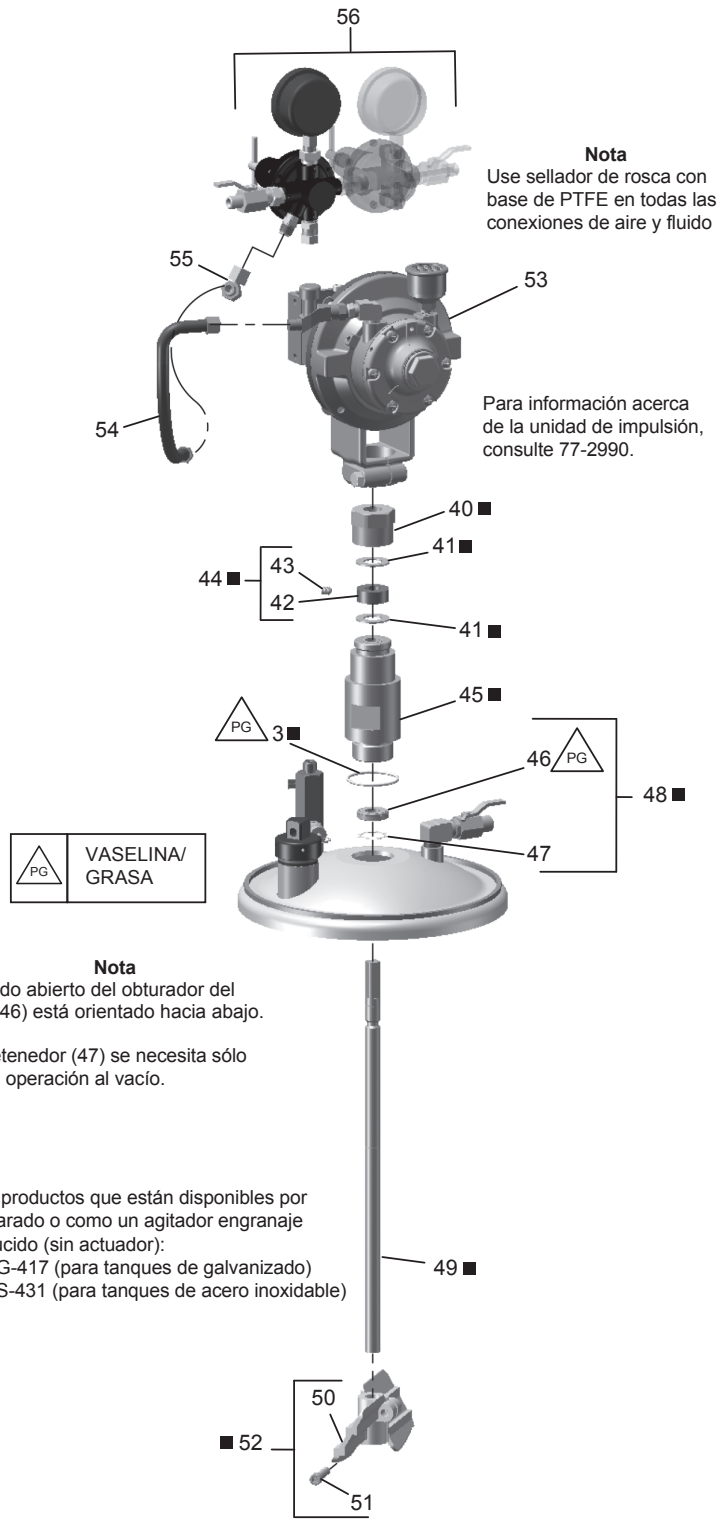


REGULACIÓN ESTÁNDAR
1 ó 2 REGULADORES

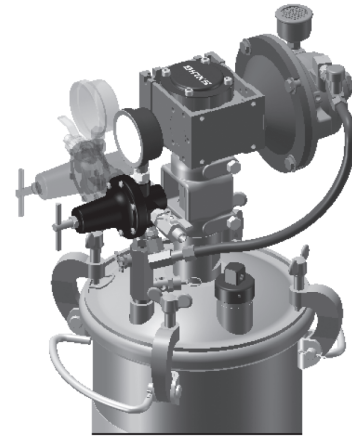


REGULACIÓN EXTRA SENSIBLE
1 ó 2 REGULADORES
Requiere válvula de seguridad de 40 PSI

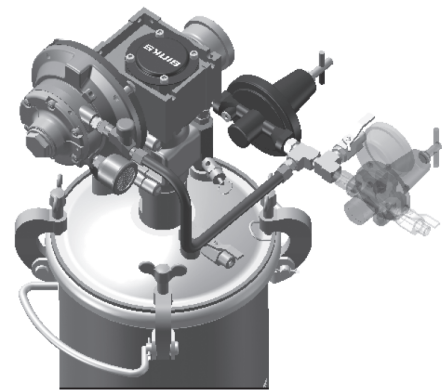
AGITADOR CON ENGRANAJE REDUCIDO



AGITADOR CON IMPULSIÓN DE ENGRANAJE REDUCIDO-ENGANCHE DEL REGULADOR



REGULACIÓN ESTÁNDAR
1 ó 2 REGULADORES



REGULACIÓN EXTRA SENSIBLE
1 ó 2 REGULADORES
Requiere válvula de seguridad de 40 PSI

TANQUES ASME DE 2 GALONES – CONTROL DE AIRE

CONTROL DE AIRE CON REGULADOR ÚNICO

Sólo controla la presión del tanque.

85-470 para tanques sin agitación

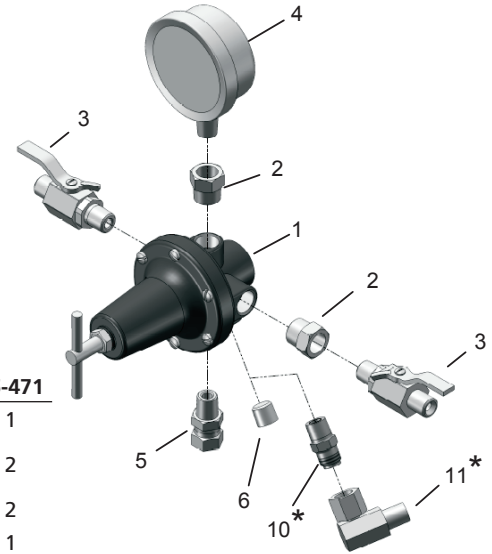
85-471 para tanques con agitación

*Los artículos con asterisco son para uso con un agitador.

ART. NO.	PIEZA NO.	DESCRIPCIÓN	85-470	85-471
1	+ HAR-511	REGULADOR DE AIRE	1	1
2	20-1753-1	MANGUITO-ACERO ENCHAPADO – 3/8 (m) x 1/4 (f)	2	2
3	VA-542	VÁLVULA ESFÉRICA	2	2
4	83-1290	MANÓMETRO – 150 PSI	1	1
5	SSP-8217-ZN	ADAPTADOR GIRATORIO	1	1
6	• -----	TAPÓN, 1/4 NPT (PROVISTO C/REGULADOR)	1	—
10	H-2008	BOQUILLA, 1/4 NPS x 1/4 NPT	—	1
11	SSP-30-ZN	CODO GIRATORIO – 1/4 NPS(m) x 1/4 NPS (sw)	—	1

• Se vende localmente.

+ Para piezas de servicio del regulador, consulte 77-2781



CONTROL DE AIRE CON REGULADOR DOBLE

Presión del tanque de control y presión de atomización de la pistola pulverizadora.

85-472 para tanques sin agitación

85-473 para tanques con agitación

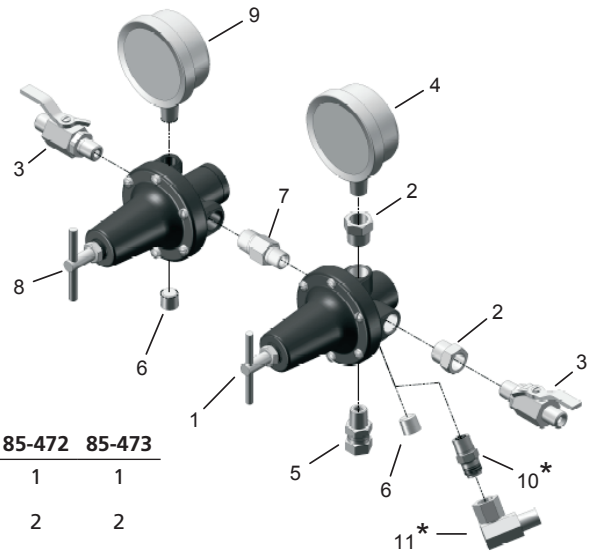
*Los artículos con asterisco son para uso con un agitador.

ART. NO.	PIEZA NO.	DESCRIPCIÓN	85-472	85-473
1	+ HAR-511	REGULADOR DE AIRE	1	1
2	20-1753-1	MANGUITO-ACERO ENCHAPADO – 3/8 (m) x 1/4 (f)	2	2
3	VA-542	VÁLVULA ESFÉRICA	2	2
4	83-1290	MANÓMETRO - 150 PSI	1	1
5	SSP-8217-ZN	ADAPTADOR GIRATORIO	1	1
6	• -----	TAPÓN, 1/4 NPT (PROVISTO C/REGULADOR)	2	1
7	83-4233	BOQUILLA DE ENTRADA DM, 1/4 x 3/8	1	1
8	# HAR-507	REGULADOR DE AIRE	1	1
9	83-1355	MANÓMETRO - 100 PSI	1	1
10	H-2008	BOQUILLA, 1/4 NPS x 1/4 NPT	—	1
11	SSP-30-ZN	CODO GIRATORIO – 1/4 NPS(m) x 1/4 NPS (sw)	—	1

• Se vende localmente.

+ Consulte 77-2781 para piezas de servicio del regulador

Para piezas de servicio del regulador, consulte SBBI-6-147



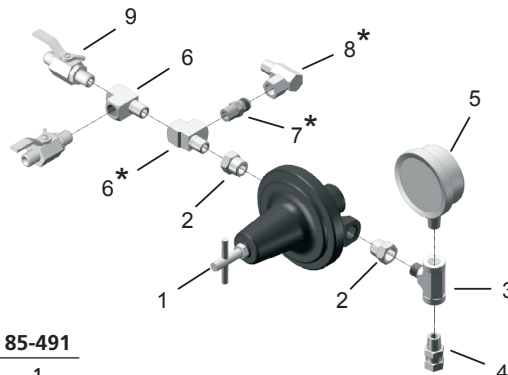
TANQUES ASME DE 2 GALONES – CONTROL EXTRA SENSIBLE DE AIRE

CONTROL DE AIRE CON REGULADOR EXTRA SENSIBLE Y REGULADOR ÚNICO

Proporciona control de precisión sumamente alta (sólo) de la presión del tanque de 0 – 30 PSI. Incluye válvula de seguridad de 40 PSI (no ilustrada.)

85-490 para tanques sin agitación
85-491 para tanques con agitación

*Los artículos con asterisco son para uso con un agitador.



ART. NO.	PIEZA NO.	DESCRIPCIÓN	85-490	85-491	
1	+	HAR-501	REGULADOR EXTRA SENSIBLE	1	1
2		20-1753-1	MANGUITO-ACERO ENCHAPADO – 3/8 (m) x 1/4 (f)	2	2
3		SSP-2629-ZN	T ROSCADA CON DERIVACIÓN MACHO – 1/4 NPT	1	1
4		SSP-8217-ZN	ADAPTADOR GIRATORIO	1	1
5		83-1414	MANÓMETRO - 30 PSI	1	1
6	•	-----	T ROSCADA MACHO Y HEMBRA, 1/4 NPT	1	2
7		H-2008	BOQUILLA – 1/4 NPS x 1/4 NPT	—	1
8		SSP-ZN-30	CODO GIRATORIO – 1/4 NPS(m) x 1/4 NPS (sw)	—	1
9		VA-542	VÁLVULA ESFÉRICA	2	2
10		TIA-5040	VÁLVULA DE SEGURIDAD, 40 PSI (NO ILUSTRADA)	1	1

• Se vende localmente.

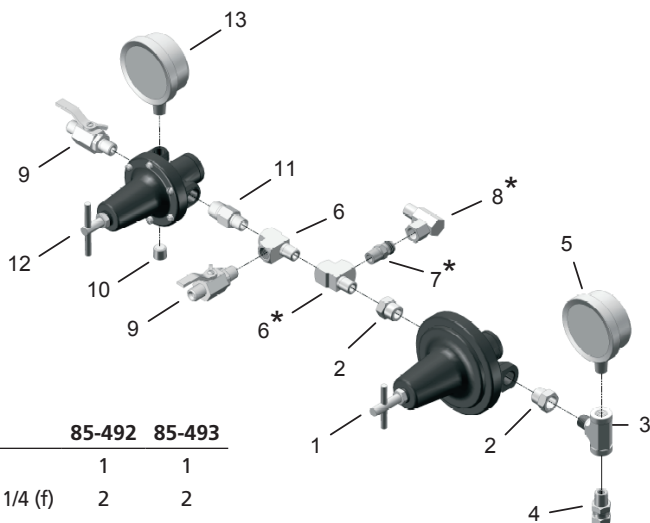
+ Para piezas de servicio del regulador, consulte SB-6-131

CONTROL DE AIRE CON REGULADOR EXTRA SENSIBLE Y REGULADOR DOBLE

Proporciona control de precisión sumamente alta de la presión del tanque además de regulación estándar para una pistola pulverizadora. Incluye válvula de seguridad de 40 PSI (no ilustrada.)

85-492 para tanques sin agitación
85-493 para tanques con agitación

*Los artículos con asterisco son para uso con un agitador.



ART. NO.	PIEZA NO.	DESCRIPCIÓN	85-492	85-493	
1	+	HAR-501	REGULADOR EXTRA SENSIBLE	1	1
2		20-1753-1	MANGUITO-ACERO ENCHAPADO – 3/8 (m) x 1/4 (f)	2	2
3		SSP-2629-ZN	T ROSCADA CON DERIVACIÓN MACHO – 1/4 NPT	1	1
4		SSP-8217-ZN	ADAPTADOR GIRATORIO	1	1
5		83-1414	MANÓMETRO - 30 PSI	1	1
6	•	-----	T ROSCADA MACHO Y HEMBRA, 1/4 NPT	1	2
7		H-2008	BOQUILLA – 1/4 NPS x 1/4 NPT	—	1
8		SSP-ZN-30	CODO GIRATORIO – 1/4 NPS(m) x 1/4 NPS (sw)	—	1
9		VA-542	VÁLVULA ESFÉRICA	2	2
10	•	-----	TAPÓN, 1/4 NPT (PROVISTO C/REGULADOR)	2	2
11		83-4233	BOQUILLA DE ENTRADA DM, 1/4 x 3/8	1	1
12	#	HAR-507	REGULADOR DE AIRE	1	1
13		83-1355	MANÓMETRO – 100 PSI	1	1
14		TIA-5040	VÁLVULA DE SEGURIDAD, 40 PSI (NO ILUSTRADA)	1	1

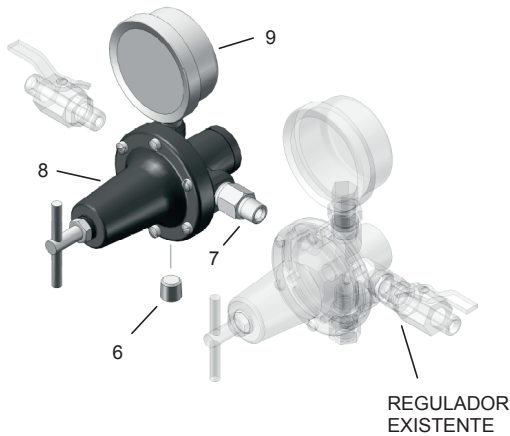
• Se vende localmente.

+ Para piezas de servicio del regulador, consulte SB-6-131

Para piezas de servicio del regulador, consulte SBBI-6-147

85-469 KIT DE CONVERSIÓN AL CONJUNTO DE REGULADOR DOBLE

Convierte el regulador único estándar o control de aire extra sensible a control de aire con regulador doble.

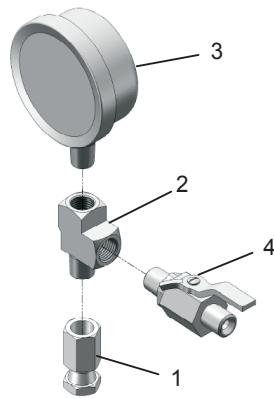


ART. NO.	PIEZA NO.	DESCRIPCIÓN	CANT.
6	• —	TAPÓN, 1/4 NPT (PROVISTO c/ REGULADOR)	1
7	83-4233	BOQUILLA DM, 1/4 x 3/8	1
8	HAR-507	REGULADOR DE AIRE	1
9	83-1355	MANÓMETRO – 100 PSI	1

•Se vende localmente.

QMS-4003 KIT SIN REGULACIÓN

Usar cuando la presión de fluido en el tanque es regulada por algún otro método de control, separado.



ART. NO.	PIEZA NO.	DESCRIPCIÓN	CANT.
1	• —	ADAPTADOR, 1/4 NPT(F) X 1/4 NPS (SW)	1
2	• —	T ROSCADA MACHO Y HEMBRA	1
3	83-1290	MANÓMETRO, 150 PSI	1
4	VA-542	VÁLVULA ESFÉRICA	1

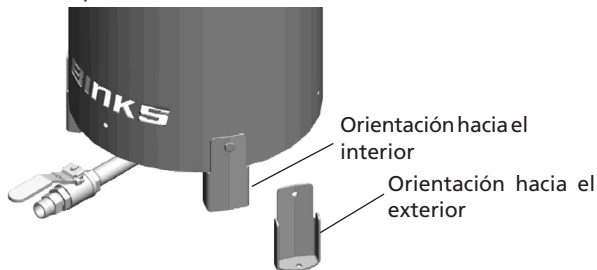
•Se vende localmente.

KIT DE SALIDA INFERIOR

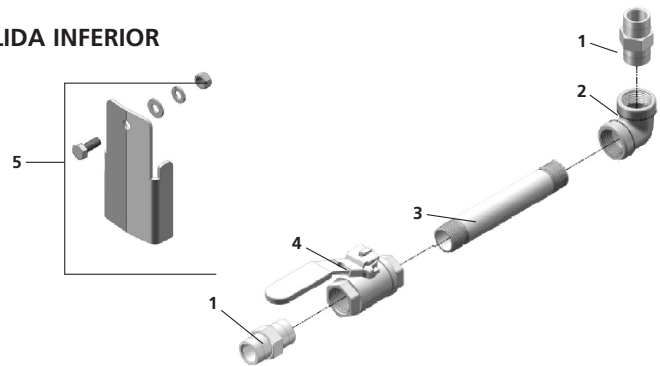
KIT DE SALIDA INFERIOR CON PATAS

Permite la conversión del tanque de salida superior estándar a salida inferior. Todas las piezas mojadas de la salida inferior son de acero inoxidable.

183-3000 para tanques de 2 gal. c/salida inferior de 3/4". Incluye tres kits de patas 183-3005.



Las patas se pueden orientar hacia adentro o hacia afuera para proporcionar flexibilidad en el montaje.

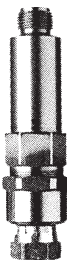


ART. NO.	PIEZA NO.	DESCRIPCIÓN	CANT.
1	—	ADAPTADOR, 3/4 NPT-NPS UNIVERSAL	2
2	—	CODO, 3/4 NPT (F)	1
3	—	BOQUILLA DE TUBO	1
4	—	VÁLVULA ESFÉRICA, 3/4 NPT PUERTO COMPLETO	1
5	183-3005	KIT DE PATAS	3

ACCESORIOS

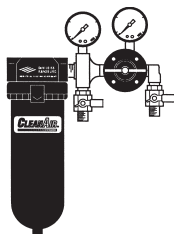
VS-534 FILTRO DE FLUIDO

Filtro de fluido primario que se fija entre la válvula de salida de fluido y la manguera de fluido para filtrar el material. Componentes hechos de acero inoxidable con filtro de nylon. Viene estándar con tamiz de malla 100. Para más información, ver SBBI-7-072.



UNIDADES DE CONTROL HFRL-508, HFRL-509 CLEAN AIR™

Estas unidades están diseñadas para eliminar la suciedad, el sarro en los tubos y la mayoría de los aerosoles líquidos. Incluye un drenaje automático que expulsa los líquidos que se acumulan en la cubeta del filtro.



29-3100 SCRUBS® TOALLAS PARA LIMPIARSE LAS MANOS

Scrubs® son toallas para pintores, prehumedecidas para limpiarse las manos. No se necesita agua.

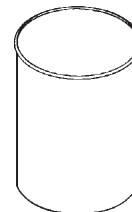


QMG-35 TUBO DE FLUIDOS CURVADO GALVANIZADO O QMS-53-1 TUBO DE FLUIDOS CURVADO DE ACERO INOXIDABLE QMS-79 PALETA DEL AGITADOR DE PERFIL MÁS CORTO

Si se forman burbujas de aire en el material, una paleta más corta y un tubo de fluidos curvado aleja la entrada de aire del agitador.

REVESTIMIENTO INTERIOR DESECHABLE DE TANQUE

Los revestimientos interiores de tanque, de polietileno moldeado, reducen el desperdicio de solventes y el tiempo de limpieza del tanque. El revestimiento interior está hecho de polietileno a prueba de filtraciones, duradero y resistente y se puede usar con todos los materiales compatibles.



PT-78-K10 Kit de 10 revestimientos interiores de tanque
PT-78-K60 Kit de 60 revestimientos interiores de tanque

FILTROS DEL TANQUE A PRESIÓN PROSPECTOR™ PARA TANQUES DE 2 GALONES

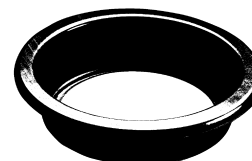
Los filtros de malla Prospector™ son una forma económica de eliminar las materias foráneas de la pintura, manchas, barnices y revestimientos.

Diámetro interior8.75" (222.25 mm)
Diámetro exterior.....10.625" (269.87 mm)
Alt./Profundidad.....10.625" (66.67 mm)
Cantidad/caja..... 20

PTS-2Gal-K20-200..... 200 micrones
(aprox. malla de alambre 65)

PTS-2Gal-K20-400..... 400 micrones
(aprox. malla de alambre 37)

PTS-2Gal-K20-600..... 600 micrones
(aprox. malla de alambre 28)



NOTAS

POLÍTICA DE GARANTÍAS

Los productos Binks están cubiertos por la garantía limitada de materiales y mano de obra por un año de Finishing Brands. El uso de cualquier pieza o accesorio de una fuente que no sea Finishing Brands, anulará todas las garantías. Para obtener información específica sobre la garantía, favor ponerse en contacto con el local de Finishing Brands más cercano a usted entre los listados a continuación.

Finishing Brands se reserva el derecho de modificar las especificaciones del equipo sin previo aviso. DeVilbiss®, Ransburg®, BGK®, y Binks® son marcas registradas de Carlisle Fluid Technologies, Inc., opera bajo el nombre Finishing Brands. ©2015 Carlisle Fluid Technologies, Inc., opera bajo el nombre Finishing Brands. Reservados todos los derechos.



Binks es parte de Finishing Brands, un líder global en tecnologías de acabados pulverizados innovadores. Para asistencia técnica o para localizar un distribuidor autorizado, póngase en contacto con uno de nuestros centros internacionales de ventas y apoyo al cliente listados a continuación.

EE.UU./Canadá

www.binks.com
info@carlisleleft.com
Teléfono: 1-800-992-4657
Fax: 1-888-246-5732

México

www.carlisleleft.com.mx
ventas@carlisleleft.com.mx
Teléfono: 011 52 55 5321 2300
Fax: 011 52 55 5310 4790

Brasil

www.devilbiss.com.br
vendas@carlisleleft.com.br
Teléfono: +55 11 5641 2776
Fax: 55 11 5641 1256

Reino Unido

www.finishingbrands.eu
info@carlisleleft.eu
Teléfono: +44 (0)1202 571 111
Fax: +44 (0)1202 573 488

Francia

www.finishingbrands.eu
info@carlisleleft.eu
Teléfono: +33(0)475 75 27 00
Fax: +33(0)475 75 27 59

Alemania

www.finishingbrands.eu
info@carlisleleft.eu
Teléfono: +49 (0) 6074 403 1
Fax: +49 (0) 6074 403 281

China

www.finishingbrands.com.cn
mkt@carlisleleft.com.cn
Teléfono: +8621-3373 0108
Fax: +8621-3373 0308

Japón

www.ransburg.co.jp
overseas-sales@carlisleleft.co.jp
Teléfono: 081 45 785 6421
Fax: 081 45 785 6517

Australia

www.finishingbrands.com.au
sales@carlisleleft.com.au
Teléfono: +61 (0) 2 8525 7555
Fax: +61 (0) 2 8525 7500

