

BINKS 8 OUNCE SLG GRAVITY FEED CUP ASSEMBLY

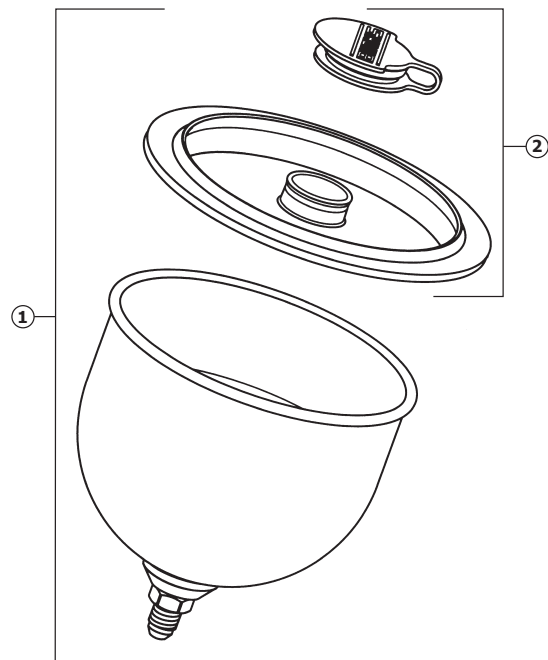
The Binks 8 Ounce Gravity Feed Cup Assembly is designed to be used with Binks Cub SLG HVLP spray guns.

Created from lightweight, anodized aluminum, your 8 ounce cup will last for years with proper use. This Part Sheet describes use and cleaning of the cup.

The Binks 8 Ounce Gravity Feed Cup Assembly is designed to be used with Binks Cub SLG HVLP spray guns.

HOW TO USE THE CUP

To attach the 8 ounce cup to your Binks gun, simply screw the cup into the inlet port on your Cub SLG HVLP gun. See Figure 1.



⚠ CAUTION
Take care not to overtighten the cup, which can damage the brass cup outlet. Do not attempt to remove cup nut or cup outlet. If damage occurs to these parts or to the integrity of their fitting on the cup, the entire cup assembly must be replaced.

1. Fill the cup with fluid.
2. Attach the lid to the cup, creating a tight seal all the way around the cup's perimeter.
3. Close the lid cap by pressing down firmly until you hear a snap.

⚠ WARNING
REGARDING SOLVENT SAFETY
Do not use open containers for storage or disposal of solvents, cloth or paper used for surface preparation or cleanup. Solvents contain volatile chemicals that are a cause of pollution and a health and fire hazard. Always wear appropriate clothing, including gloves, eye protection and a respirator when cleaning the cup.

NOTE
Before removing the cup, you may first wish to clean your Binks gun by flushing solvent from the cup through the gun. Refer to the instructions that came with your gun for detailed instructions on flushing solvent through the gun.

HOW TO CLEAN THE CUP

1. Remove lid.
2. Unscrew cup.
3. Rinse cup with solvent.

⚠ CAUTION
Never immerse cup or lid in solvent for long periods of time. Prolonged exposure to solvents may permanently damage the cup or lid.

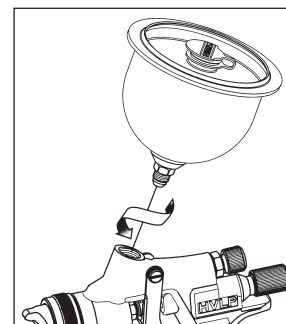
PARTS LIST

Ref. No.	Replacement Part No.	Description	Ind. Parts Req'd.
1	81-381	GRAVITY FEED CUP ASSEMBLY, 8 OZ. 8 OZ. GRAVITY FEED CUP, NUT, OUTLET	1
	54-4458	GRAVITY FEED CUP ASSEMBLY, 4 OZ. OPTIONAL (NOT SHOWN)	
2*†	54-4448	CUP LID ASSEMBLY, 0.75 LITER 0.75 LITER CUP LID, LID CAP	1

* 0.75 Liter Cup Lid Assembly used on 8 Ounce Cup also.

† Order replacement lids separately in the Lid Assembly Quantity Pack (54-4251), which contains three lids. Gravity cup not sold separately.

FIGURE 1



CA PROP 65	PROP 65 WARNING WARNING: This product contains chemicals known to the State of California to cause cancer and birth defects or other reproductive harm.
-------------------	---

WARRANTY POLICY

Binks products are covered by Carlisle Fluid Technologies one year materials and workmanship limited warranty. The use of any parts or accessories, from a source other than Carlisle Fluid Technologies, will void all warranties. For specific warranty information please contact the closest Carlisle Fluid Technologies location listed below.

Carlisle Fluid Technologies reserves the right to modify equipment specifications without prior notice. DeVilbiss®, Ransburg®, ms®, BGK®, and Binks® are registered trademarks of Carlisle Fluid Technologies, Inc.

©2017 Carlisle Fluid Technologies, Inc.
All rights reserved.

Binks is part of Carlisle Fluid Technologies, a global leader in innovative finishing technologies. For technical assistance or to locate an authorized distributor, contact one of our international sales and customer support locations.

USA/Canada

info@carlisleleft.com
Tel: 1-888-992-4657
Fax: 1-888-246-5732

Mexico

ventas@carlisleleft.com.mx
Tel: +52 55 5321 2300
Fax: +52 55 5310 4790

Germany

info@carlisleleft.eu
Tel: +49 (0) 6074 403 1
Fax: +49 (0) 6074 403 281

United Kingdom

info@carlisleleft.eu
Tel: +44 (0)1202 571 111
Fax: +44 (0)1202 573 488

Japan

overseas-sales@carlisleleft.co.jp
Tel: +81 45 785 6421
Fax: +81 45 785 6517

Australia

sales@carlisleleft.com.au
Tel: +61 (0) 2 8525 7555
Fax: +61 (0) 2 8525 7575

China

mkt@carlisleleft.com.cn
Tel: +8621-3373 0108
Fax: +8621-3373 0308

Brazil

vendas@carlisleleft.com.br
Tel: +55 11 5641 2776
Fax: +55 11 5641 1256

For the latest information about our products, visit www.carlisleleft.com.



DeVilbiss Automotive Refinishing is part of Carlisle Fluid Technologies, a global leader in innovative finishing technologies. For technical assistance or to locate an authorized distributor, contact one of our international sales and customer support locations.

USA/Canada

www.autorefinishdevilbiss.com
askus@carlisleleft.com
Toll Free Tel: 1-800-445-3988
Toll Free Fax: 1-800-445-6643

Mexico

www.autorefinishdevilbiss.com.mx
Toll Free Tel: 1-888-835-6232 USA