

## HAR-602 Air Control Unit

### DESCRIPTION

This unit is designed to remove water and dirt particles.

### SPECIFICATIONS:

Air Inlet:	1/2 NPT (female)
Air Outlet:	1/4 NPSM (male)
Air Capacity:	120 CFM filter 50 CFM regulator
Max. Pressure:	150 PSI
Max. Temp.:	150° F
Filter Size:	5 micron

### WARNING

**Risk of personal injury.**  
**Risk of property damage.**

**RELEASE ALL AIR PRESSURE  
BEFORE SERVICING.**

**This product is specifically designed for compressed air service. Use with any other fluid (liquid or gas) is a misapplication. For example, use with or injection of certain hazardous gases in the system (such as oxygen or liquid petroleum gas) could be harmful to the unit or result in a combustible condition that may cause fire or explosion. Manufacturer's warranties are void in the event of misapplication and manufacturer assumes no responsibility for any resulting loss.**

### INSTALLATION

1. Assemble unit (refer to Figure 1).
2. Install with the air flowing into the top of the filter.
3. Install in a vertical position.

### OPERATION

1. Turn the regulator's handle clockwise to increase pressure.
2. To decrease pressure, turn the handle counterclockwise.
3. Relieve downstream pressure by triggering spray gun or tool.

### MAINTENANCE

1. Drain filter daily.
2. Depressurize before replacing filter element.
3. Replace element at least once per year.

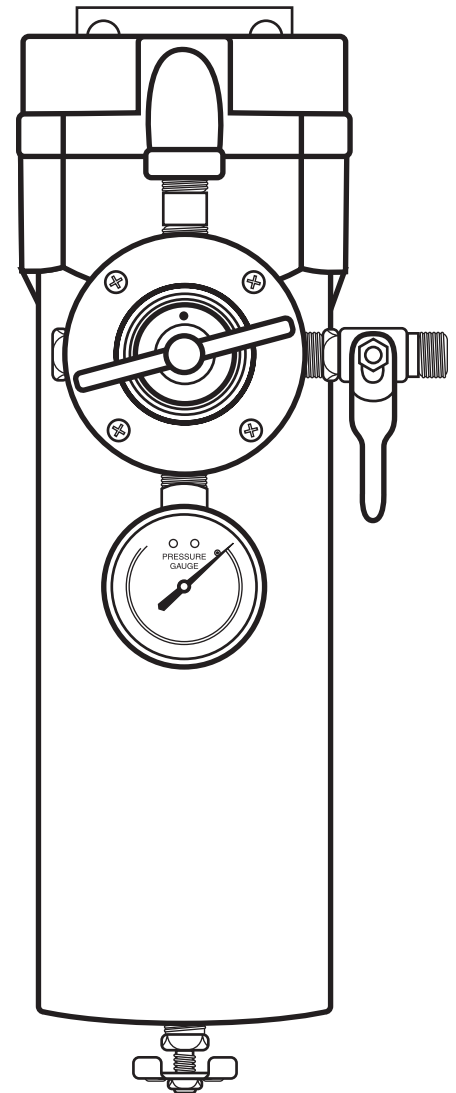
### SERVICE PARTS

See Parts List, page 2.

### WARRANTY

This product is covered by DeVilbiss' one year limited warranty. See SB-1-000 which is available upon request.

FIGURE 1

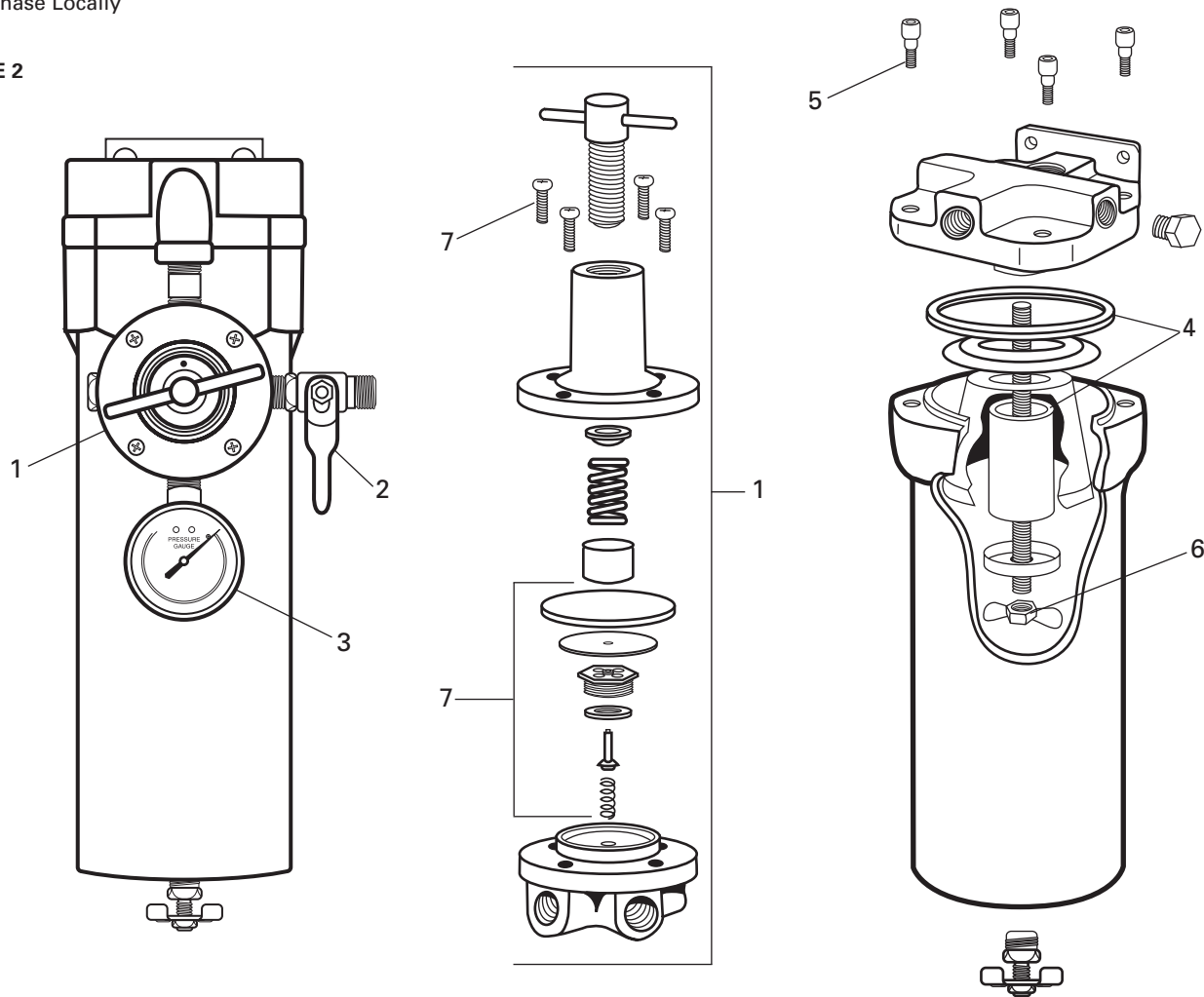


**PARTS LIST**

Ref. No.	Order No.	Part No.	Description	Individual Parts Req.
1	130100	HAR-520	Regulator	1
2	240160	VA-594	Shut-Off Valve	1
3	192314	GA-375	Pressure Gauge	1
4	192315	HAF-39	Element & Gasket Kit	1
5	*	*	Socket Head Screw, 1/4-20 x 3/4	4
6	*	*	Wingnut, 1/4-20	1
7	802112	KK-5088	Regulator Kit	1

\* Purchase Locally

**FIGURE 2**



**WARRANTY**

This product is covered by DeVilbiss' 1 Year Limited Warranty.

**DeVilbiss Worldwide Sales and Service Listing: [www.devilbiss.com](http://www.devilbiss.com)**

**DeVilbiss Automotive Refinishing**

DeVilbiss has authorized distributors throughout the world. For equipment, parts and service, check the Yellow Pages under "Automotive Body Shop Equipment and Supplies." For technical assistance, see listing below.

**U.S./Canada Customer Service Office:**  
 11360 S. Airfield Road, Swanton, OH 43558  
 Toll-Free Telephone: 1-800-445-3988 (U.S.A. and Canada only)  
 Toll-Free Fax: 1-800-445-6643

