



CAMAIR QC3 FILTER AND DRYER UNIT

QC3 Desiccant Cartridge Dryer

Order No.	Description
130525	Desiccant Filter and Dryer Unit
130524	QC3 Filter and Desiccant Cartridge Replacement

Order No
130525

A Great Choice for Light Usage such as Low Volume Shops, Restorers, Customizers, and Hobbyists

- Three-stage filtering with 0.1 micron rating produces clean, oil- and humidity-free air.
- High performance filtration with only 2 PSI pressure drop.
- Quick change filter cartridge is easy to maintain. Bowl removal tool included.
- Larger filter media and longer life desiccant than disposable dryers
- Install at point of use



FinishLine® AIR CONTROL UNIT

FinishLine® Air Control Unit

Order No.	Model No.	Description
130099	HAR-602	120 CFM air line filter w/ 50 CFM regulator
192315	HAF-39	Filter element and gasket kit

Order No. Model No.
130099 HAR-602

- Includes:**
- 5 micron particle filter
 - Mounting bracket
 - Regulator and gauge

- The Value Leader**
- Removes moisture and dirt
 - Regulates air pressure

ACCESSORIES

192314 / GA-375
Gauge for HAR-520 regulator



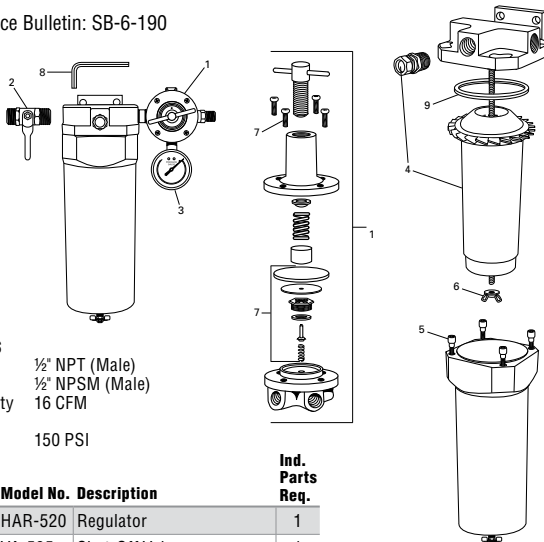
192315 / HAF-39
HAR-602 Element Kit



130100 / HAR-520
50 CFM regulator for HAR-602



Refer to Service Bulletin: SB-6-190

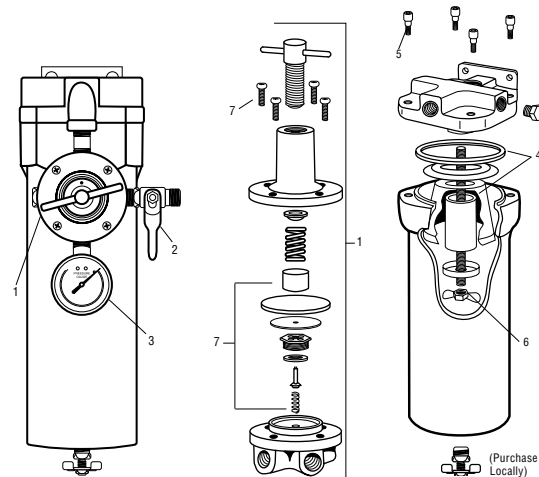


SPECIFICATIONS
Air Inlet 1/2" NPT (Male)
Air Outlet 1/2" NPSM (Male)
Air Flow Capacity 16 CFM
Max. Operating Pressure 150 PSI

Ref. No.	Order No.	Model No.	Description	Ind. Parts Req.
1	130100	HAR-520	Regulator	1
2	802188	VA-595	Shut-Off Valve	1
3	192314	GA-375	Pressure Gauge	1
4	130524	130524	Cartridge, Dryer Filter*	1
5	Purchase Locally		Socket Head Screw, 1/4-20 @ 3/4	4
6	Purchase Locally		Wingnut, 1/4-20	1
7	802112	KK-5088	Regulator Repair Kit	1
8	Purchase Locally		5mm Hex Key Wrench	1
9	803094	HAF-45	Gasket, Filter Bowl	1

*Cartridge includes indicator window & humidity paper

Refer to Service Bulletin: SB-6-180



Ref. No.	Order No.	Model No.	Description	Ind. Parts Req.
1	130100	HAR-520	Regulator	1
2	240160	VA-594	Shut-Off Valve	1
3	192314	GA-375	Pressure Gauge	1
4	192315	HAF-39	Element & Gasket Kit	1
5	Purchase Locally		Socket Head Screw, 1/4-20 x 3/4	4
6	Purchase Locally		Wingnut, 1/4-20	1
7	802112	KK-5088	Regulator Kit	1

SPECIFICATIONS
Air Inlet 1/2" NPT (female)
Air Outlet 1/4" NPS (male)
Air Capacity 120 CFM filter
50 CFM regulator
Max. Pressure 150 PSI
Max. Temperature 150°F (65.6°C)
Filter Size 5 micron

