



Standard Operating Procedures DeVilbiss® 3 Ounce Disposable Cup

Description

The DeVilbiss® 3 Ounce Disposable Cup is a simple solution for mobile repair locations and for spraying small quantities of refinishing material. The vented cup design allows for maximum fluid flow and performance. The design also allows for an easy press-fit to current DeKups® adapters.

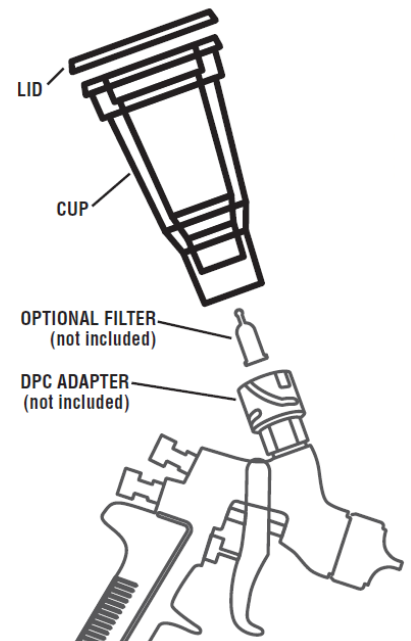
Directions for installing a DeVilbiss 3 Ounce Disposable Cup with 200, 300, and 600 micron barrel filters:

1. Install the DeKups adapter on the spray gun.

The following is a list of compatible DeKups adapters:

802200 / DPC-43	802201 / DPC-26	802202 / DPC-31
802203 / DPC-10	802204 / DPC-11	802205 / DPC-13
802206 / DPC-23	802340 / DPC-500	802411 / DPC-52-K1
802955 / DPC-64	803237 / DPC-501	803314 / DPC-78
803420 / DPC-81		

2. Insert a barrel filter in the DeKups adapter.
200 Micron Filter (Very Fine): 802108 / DPC-27-K10
300 Micron Filter (Fine): 802107 / DPC-17-K10
600 Micron Filter (Coarse): 802106 / DPC-14-K10
3. Press and secure the DeVilbiss 3 ounce disposable cup over the DeKups adapter.
4. Pour the refinish material in the cup, press and secure the vented lid. You are now ready to spray.



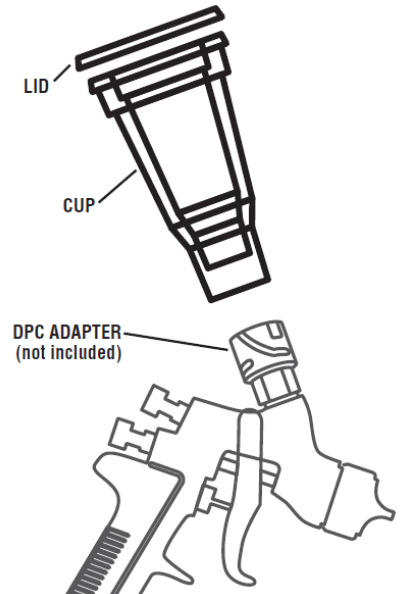
Directions for installing 3 ounce disposable cup and requiring a paper strainer:

1. Install a DeKups adapter to the spray gun.

The following is a list of compatible DeKups adapters:

802200 / DPC-43	802201 / DPC-26	802202 / DPC-31
802203 / DPC-10	802204 / DPC-11	802205 / DPC-13
802206 / DPC-23	802340 / DPC-500	802411 / DPC-52-K1
802955 / DPC-64	803237 / DPC-501	803314 / DPC-78
803420 / DPC-81		

2. Press and secure the DeVilbiss 3 ounce disposable cup over the DeKups adapter.
3. Strain the refinish material using a 125 micron filter strainer prior to pouring in the disposable cup.
4. Pour the refinish material in the cup, press and secure the vented lid. You are now ready to spray.



Directions for cup removal

1. Hold the gun over a paint disposal area, and turn upside down. Squeeze the spray gun trigger to drain the gun, then twist and pull the cup off of the adapter. Ensure that proper gloves and safety equipment are worn

3 ounce cups in gun washer

Placing the 3 ounce cup in a gun washer is not recommended. The cleaning products in the gun washer may cause the cup and lid to shrink resulting in a leak.