



# TEKNA® QuickClean™ GRAVITY SPRAY GUN

4 Models Available!  
Cupped or Uncupped

**Includes:**

- 7E7 high efficiency air cap
- HAV-555 air adjusting valve with digital gauge
- Extra needle/nozzle set
- Gun wrench and color ID rings
- DeKups® Adapter (DPC-43) – Uncupped only
- QuickClean™ coating



EPA Compliant.  
Approved in most HVP areas.

EPA and SCAQMD Approved

\* Waterborne compatible when using a plastic or disposable cup system.



703507,  
703509

703506,  
703508

The DeKups® System is covered by U.S. Patent Nos. 6,820,824 and 7,374,111, owned by 3M Innovative Properties Co., and U.S. Patent Nos. 7,380,680; 7,354,074; 7,353,964; 7,350,418; 7,344,040; 7,263,893; 7,165,732; 7,086,549; owned by Illinois Tool Works Inc.



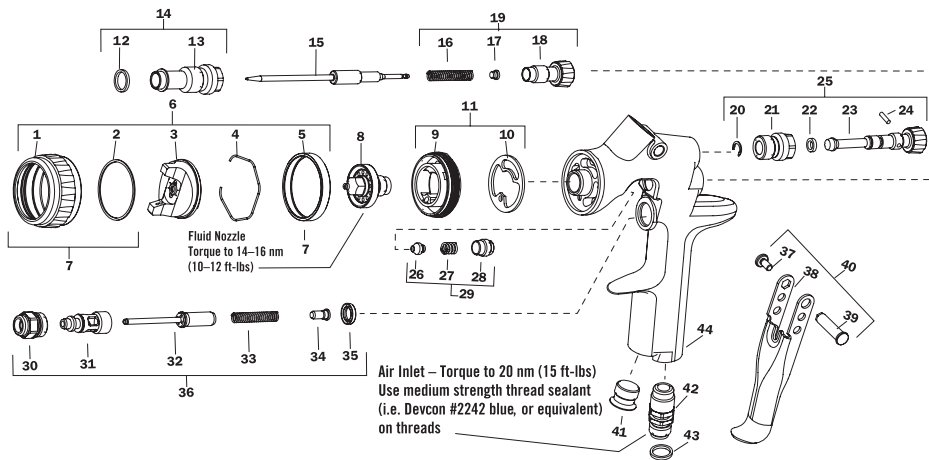
## TEKNA® QuickClean™ Basecoat/Clearcoat Gravity Feed Spray Guns

Order No.	Needle/Nozzle	Cup	Air Cap
703506	1.2mm, 1.3mm	Uncupped	7E7
703507	1.2mm, 1.3mm	900cc Aluminum	7E7
703508	1.3mm, 1.4mm	Uncupped	7E7 & 909
703509	1.3mm, 1.4mm	900cc Aluminum	7E7

## TEKNA® QuickClean™ Air Caps

Air Cap	Base coats, clearcoats	Air Cap Pattern
#7E7 air cap (HE)	Air Cap Order/Model No. 703062 9-11 CFM @ 16-22 PSI inlet for HVLP approved areas	12½"
#202 air cap (HVLP)	Base coats (solvent) Air Cap Order/Model No. 702723 13.5-15.5 CFM @ 18-22 PSI inlet	13"
#909 air cap (HVLP)	Clearcoats, waterborne base coats Air Cap Order/Model No. 702724 14-16 CFM @ 22-26 PSI inlet	12"
Fluid Tips	1.1mm, 1.2mm, 1.3mm, 1.4mm, 1.5mm (for hot climate waterborne)	

Refer to Technical Bulletin: TB-1002



**OTHER SALABLE PARTS / ACCESSORIES**

Part	Model No.
Wrench (10 & 14mm)	702740
#202 Test Cap (HVLP)	702738
Air Adjusting Valve	702737
#909 Test Cap (HVLP)	702739

Ref. No.	Description	Part No.	Qty
1	Air Cap Retaining Ring		1
2	Slip Ring		1
3	Air Cap		1
4	Air Cap Retaining Clip		1
5	Retaining Ring Seal		1
6	Base/Clear Cap & Ring (7E7) (High Efficiency)	703062	1
6	HVLP Cap & Ring (909)	702724	1
6	HVLP Cap & Ring (202)	702723	1

**Air Cap Replacement Parts**

Air Cap Order No.	Application	Air Cap No.	Recommended Inlet Pressure BAR/PSI	Air Flow LPM/SCFM
703062	Base coats, clear coats	#7E7 HE	1.1-1.5 BAR / 16-22 PSI	255-312 LPM / 9-11 SCFM
702724	Clear coats, waterborne base	#909 HVLP	1.5-1.8 BAR / 22-26 PSI	396-453 LPM / 14-16 SCFM
702723	Base coats	#202 HVLP	1.2-1.5 BAR / 18-22 PSI	382-434 LPM / 13.5-15.5 SCFM

Ref. No.	Description	Part No.	Qty
7	Air Cap Retaining Ring & Seals	702725	1
8	Fluid Nozzle		1
	1.1 Fluid Nozzle & Fluid Needle Set	702711	
	1.2 Fluid Nozzle & Fluid Needle Set	702712	
	1.3 Fluid Nozzle & Fluid Needle Set	702713	
	1.4 Fluid Nozzle & Fluid Needle Set	702714	
	1.5 Fluid Nozzle & Fluid Needle Set	702715	
9	Air Separator		1
*10	Air Separator Seal (kit of 2)	702726	1
11	Air Separator & Seal Kit	702727	1
*12	Body Bushing Gasket		1
13	Body Bushing		1
14	Body Bushing & Gasket	702728	1
15	Fluid Needle		1
*16	Needle Spring		1
*17	Needle Spring Pad		1
18	Fluid Adjusting Knob		1
19	Fluid Adjusting Knob, Spring, & Pad Kit	702729	1
*20	Retaining Clip		1
21	Spreader Valve Body		1
*22	Spreader Valve Seal		1
23	Spreader Valve Adjusting Knob		1
*24	Spreader Valve Pin		1
25	Spreader Valve Assembly	702730	1
*26	Needle Packing		1
*27	Packing Spring		1
*28	Packing Nut		1
29	Packing, Spring & Packing Nut Kit	702731	1
30	Air Valve Body		1
31	Air Valve Cage		1
32	Air Valve Poppet		1
33	Air Valve Spring		1
34	Air Valve Spring Pad		1
35	Air Valve Seal		1
36	Air Valve Assembly	702732	1
*37	Trigger Stud Screw (T20 TORX)		1
38	Trigger		1
*39	Trigger Stud		1
40	Trigger, Stud & Screw Kit	702733	1
41	Plug		1
42	Air Inlet	702734	1
43	Colour ID Ring Kit (4 Colours)	702735	1
44	Gun Body		1

\* The TEKNA Spray Gun Repair Kit (702736) contains all the parts indicated with an asterisk.