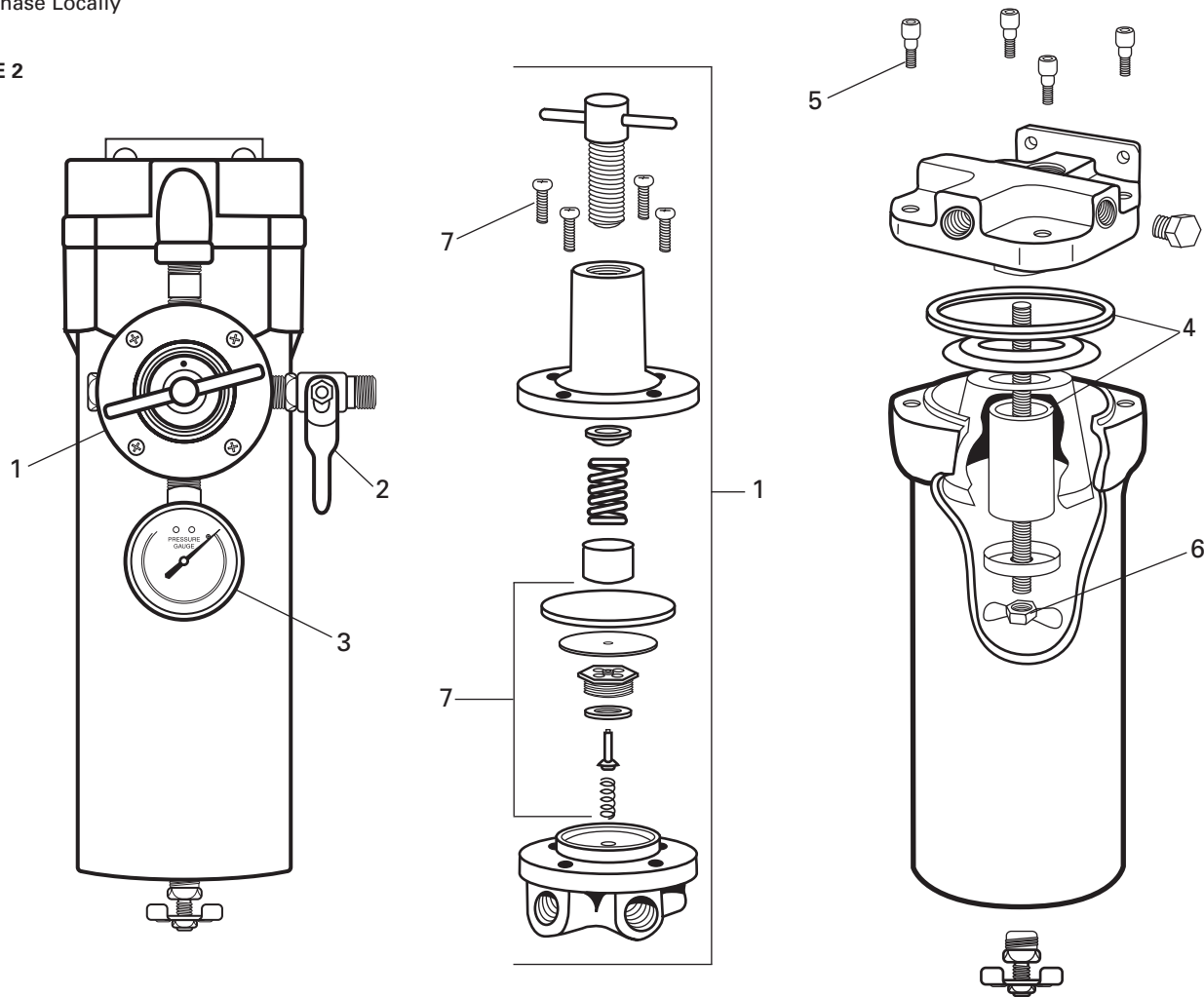


**PARTS LIST**

Ref. No.	Order No.	Part No.	Description	Individual Parts Req.
1	130100	HAR-520	Regulator	1
2	240160	VA-594	Shut-Off Valve	1
3	192314	GA-375	Pressure Gauge	1
4	192315	HAF-39	Element & Gasket Kit	1
5	*	*	Socket Head Screw, 1/4-20 x 3/4	4
6	*	*	Wingnut, 1/4-20	1
7	802112	KK-5088	Regulator Kit	1

\* Purchase Locally

**FIGURE 2**



**WARRANTY**

This product is covered by DeVilbiss' 1 Year Limited Warranty.

**DeVilbiss Worldwide Sales and Service Listing: [www.devilbiss.com](http://www.devilbiss.com)**

**DeVilbiss Automotive Refinishing**

DeVilbiss has authorized distributors throughout the world. For equipment, parts and service, check the Yellow Pages under "Automotive Body Shop Equipment and Supplies." For technical assistance, see listing below.

**U.S./Canada Customer Service Office:**  
 11360 S. Airfield Road, Swanton, OH 43558  
 Toll-Free Telephone: 1-800-445-3988 (U.S.A. and Canada only)  
 Toll-Free Fax: 1-800-445-6643

